

Floating Curved Troffer A

GLI-FCTA

INSTALL AND MAINTENANCE MANUAL

WARNING

1. Read all instructions.
2. Install in accordance with national and local electrical code regulations.
3. This product is intended to be installed and serviced by a qualified, licensed electrician.
4. Turn off electrical power before installing or servicing luminaire in any way.
5. To reduce the risk of fire and overheating, make sure all connections are tight.

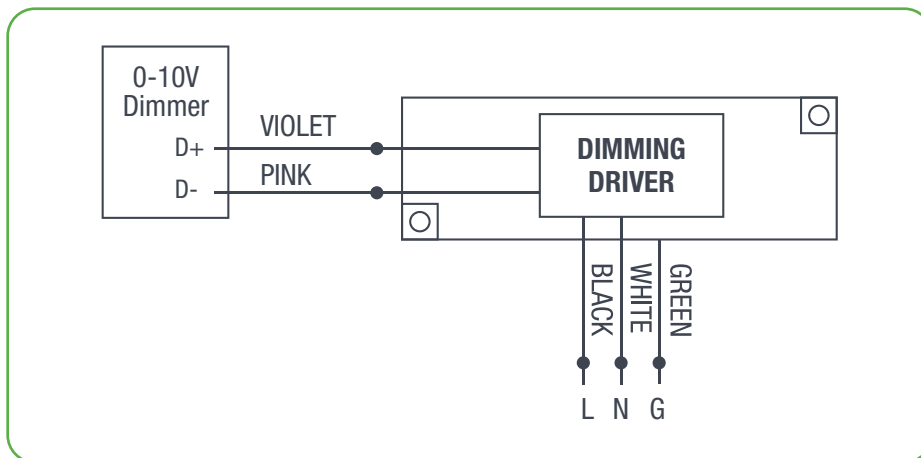


**May result in serious injury or death.
Turn power OFF at circuit breaker
prior to installation or servicing.**

CAUTION

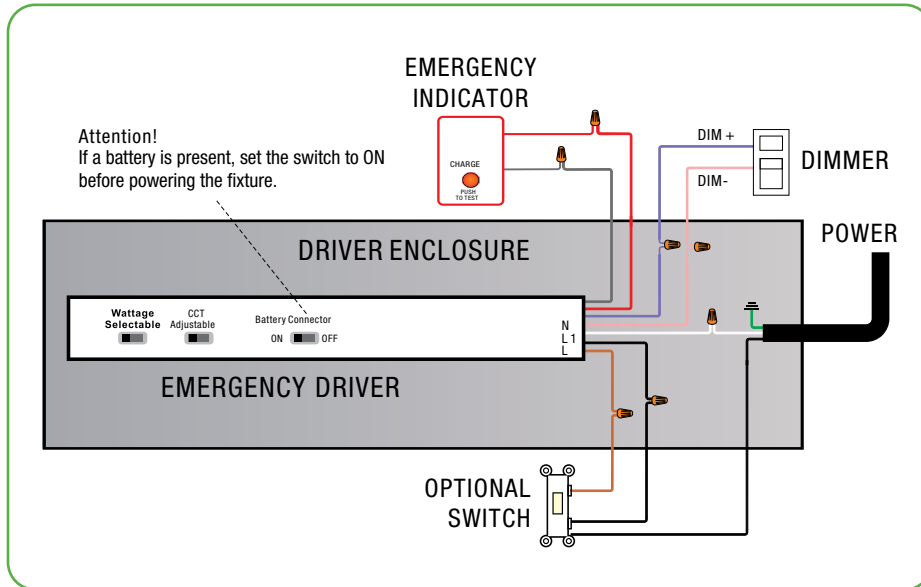
- Ensure the input voltage is compatible with the fixture to prevent damage.
- Carefully inspect the package for any signs of damage upon opening.
- Do not assemble, install, or operate the fixture if any parts are missing.
- Ensure all electrical connections are tight to reduce the risk of fire and overheating.
- Installation, removal, and maintenance should be performed by qualified technical personnel.
- Do not install in wet locations; use only in dry or damp environments.
- Do not cover the lighting fixture with insulation or similar materials to prevent overheating.

WIRING DIAGRAM NON EMERGENCY DRIVER



FCTA Floating Curved Troffer A Installation Instructions

WIRING DIAGRAM EMERGENCY DRIVER



EMERGENCY INDICATOR LIGHT CODES

LED INDICATOR STATUS	EM DRIVER STATUS/MODE
Solid RED ON	System OK/AC OK
None (LED OFF)	Normal working on EM mode
Flashing Red, 1s on/1s off (cycle)	Battery voltage is too low
Flashing Red, 0.3s on/0.3s off (cycle)	System NG; Battery not detected, check battery connection

FCTA Floating Curved Troffer A Installation Instructions

INSTALLATION INSTRUCTIONS

STEP 1

Align the J-Hook vertically to the rear cover of the LED luminaire by bending the J-Hook 45°. See Fig. 1A.

Bend the top part of J-Hook by 90°. See Fig. 1B.

Repeat for all other J-Hooks.

STEP 2

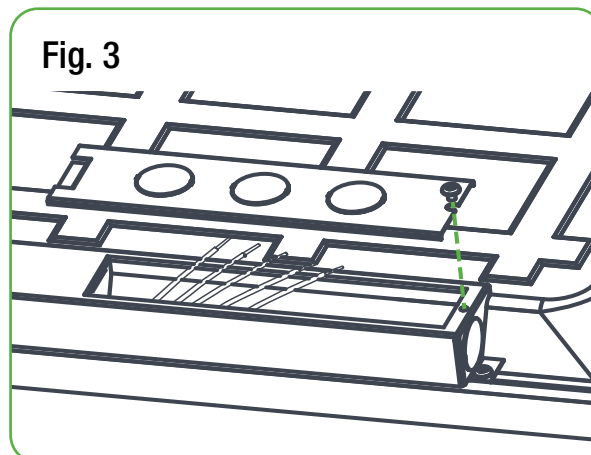
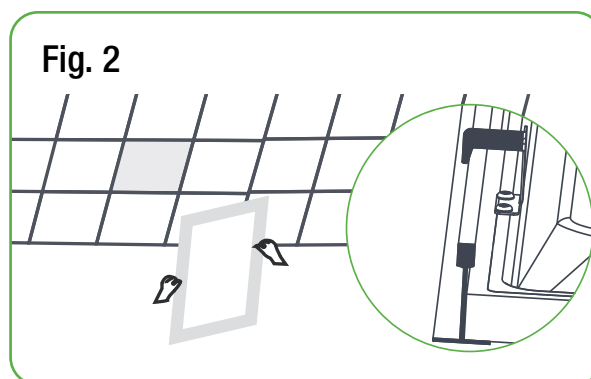
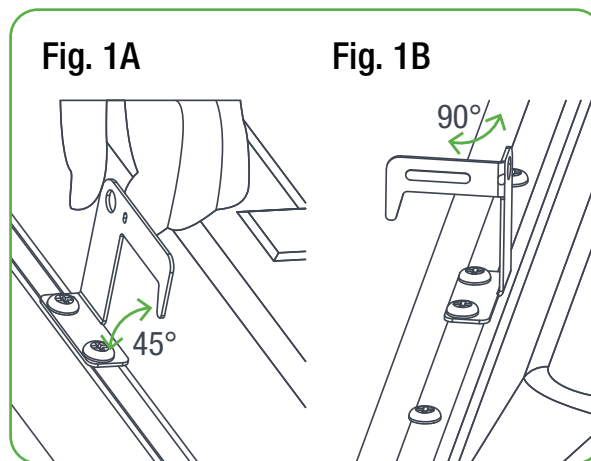
Place the LED luminaire into the T-bar. Fig. 2.

Ensure the LED luminaire is securely placed in the T-Bar

J-hooks are intended for positioning purposes only. See

STEP 3

Open the driver box. See Fig. 3.



FCTA Floating Curved Troffer A Installation Instructions

INSTALLATION INSTRUCTIONS

STEP 4

Wire the fixture according to the applicable diagram.

STEP 5

Securely screw the driver box closed. See Fig. 5.

