

New Construction Downlight 4

GLI-ORD4

INSTALL AND MAINTENANCE MANUAL

WARNING

1. Read all instructions.
2. Install in accordance with national and local electrical code regulations.
3. This product is intended to be installed and serviced by a qualified, licensed electrician.
4. Turn off electrical power before installing or servicing luminaire in any way.
5. To reduce the risk of fire and overheating, make sure all connections are tight.



**May result in serious injury or death.
Turn power OFF at circuit breaker
prior to installation or servicing.**

ORD4 New Construction Downlight 4 Installation Instructions

CAUTION

- Ensure the input voltage is compatible with the fixture to prevent damage.
- Carefully check for any signs of damage upon opening the package.
- Before connecting to the power supply, switch off the breaker and verify that it is off to prevent electric shock.
- Make sure all electrical connections are tight to reduce the risk of fire and overheating.
- To prevent damage, avoid exposing wiring to sharp edges or objects.
- Openings in driver box should be made exclusively in factory knockouts.
- Do not cover the lighting fixture with insulation or similar materials to prevent overheating.

COMPONENTS

A. FOR NEW CONSTRUCTION APPLICATIONS:

LED Downlight housing frame kit (ordered separately)

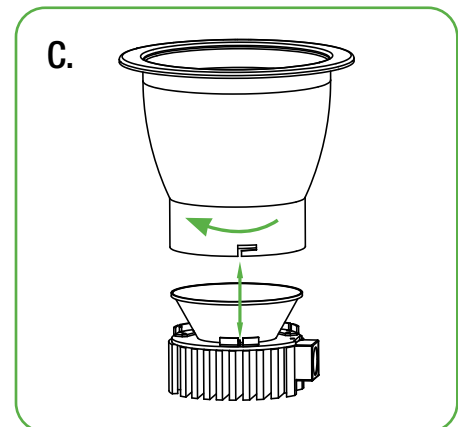
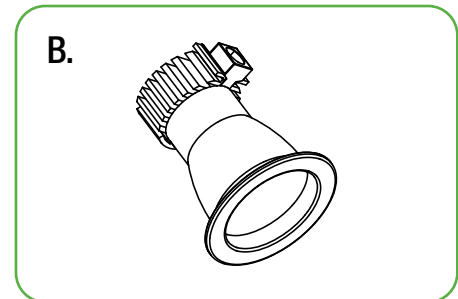
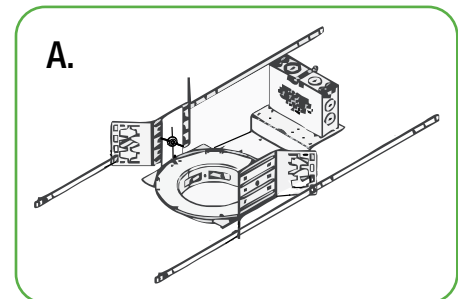
B. TYPE RECESSED KIT CONTENTS:

- LED Downlight
- LED Driver Box
- User Manual
- Clips x 4pcs
- Lable

C. TYPE RECESSED KIT CONTENTS:

- LED Engine (without housing)
- LED Driver Box
- User Manual
- Clips x 4pcs
- Housing
- Lable

NOTE: When LED engine and trim is separate, please assemble as follows: Slide the trim in clockwise direction when they are in position.



ORD4 New Construction Downlight 4 Installation Instructions

INSTALLATION INSTRUCTIONS

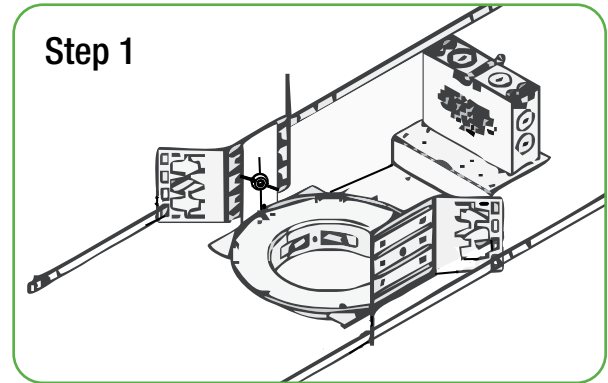
NOTE: Recessed kit is voltage specific. Verify proper voltage before installing.

For new construction applications, begin on STEP 1.

For remodel applications, begin on STEP 3.

STEP 1

Install the housing frame kit in the ceiling. Adjust horizontal position by sliding housing along bar hangers.



STEP 2

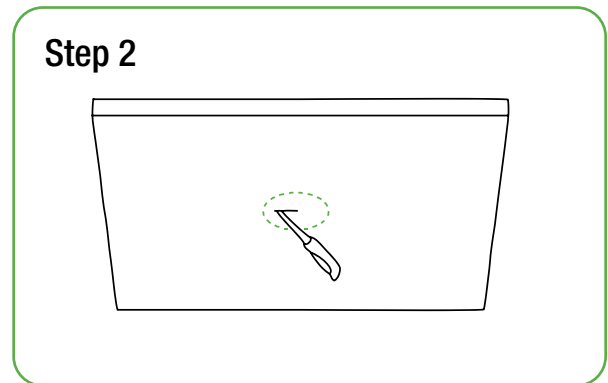
Cut a hole according to the mounting frame diameters as following:

4inch fits 4" min. to 4.7" max.

6inch fits 6" min. to 6.7" max.

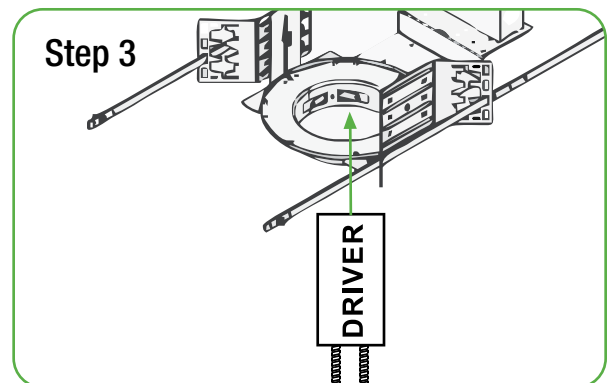
8inch fits 7.7" min. to 8.4" max.

10inch fits 10" min. to 10.7" max.



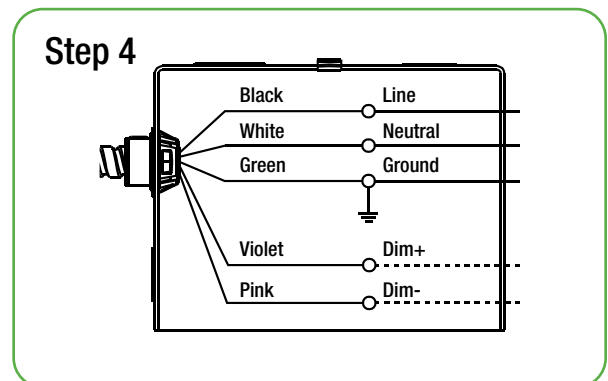
STEP 3

Install the Driver Box into the junction box. Then open J-box. (For remodel application, remove J-box supply wires and existing driver / ballast)



STEP 4

Wiring.



ORD4 New Construction Downlight 4 Installation Instructions

INSTALLATION INSTRUCTIONS

STEP 5

Close the J-box. Use the screws to secure the drive box into the ceiling. Install the safety hook to the bracket hole.

STEP 6

Use the 4 clips to install the existing mounting frame.

STEP 7

Plug the black connector of LED engine to the black connector on the end of the flex conduit on the driver box. Then insert it in the hole of LED engine.

STEP 8

Install the LED downlight in to the ceiling. Only turn power on after installation is complete.

NOTE: Ensure the mounting frame can hold the weight of LED downlight. After modification completed, attach the Lamping replacement marking label and cautionary label which provided with the retrofit kit package to the light fixture. The labels shall be visible during relamping, and after installation.

