

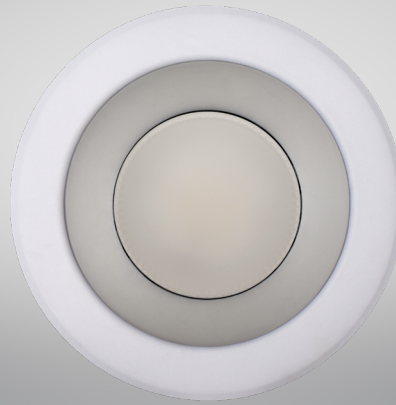
GLI-ORD4

4" New Construction Downlight



Project: _____ Location: _____ Type: _____

Model Number: _____ Qty: _____ Notes: _____ Date: _____



The GLI-ORD4 LED Commercial Downlight offers versatile and efficient lighting solutions for commercial applications. Featuring a high diffusion lens and a minimum CRI of 80, it ensures comfortable and high-quality illumination. The downlight includes wattage adjustable options of 14W, 20W, and 27W, with selectable CCT of 3000K, 3500K, and 4000K. It is designed for easy recessed installation with spring steel friction clips and offers a new construction installation frame. This downlight combines advanced thermal management with an external LED driver for long-lasting performance.

Lighting:

- High diffusion lens for comfortable light
- High CRI: Minimum 80 color rendering index
- CCT selectable from 3000K, 3500K, 4000K

Installation:

- Recessed installation for commercial applications
- Provided with spring steel friction clips for various commercial recessed open frame rough-in sections
- New construction installation frame available

Electrical:

- Wattage adjustable: 14W/20W/27W
- Input voltage: 100-277V AC
- Standard 1-10V dimming which continuously dims to 10%

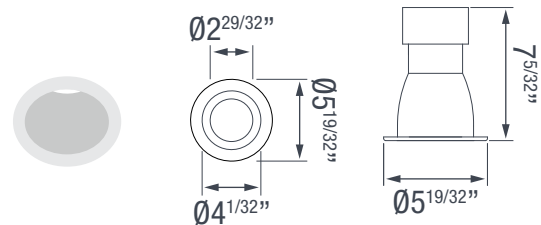
Details:

- Spun aluminum reflector with haze finish and white trim ring
- Deeply regressed diffusing lens conceals the LEDs from direct view
- External LED driver with high efficiency

Certifications:

- cULus Listed
- Energy Star Listed
- Tested to IESNA LM-79 and LM-80
- 5 years limited warranty
- Estimated lifespan of over 50,000 hours

Dimensions:



Cut-out diameter: 4"-4.7"



GLI-ORD4

4" New Construction Downlight



ORDERING GUIDE

SERIES	DIAMETER	POWER (W)	CCT	INSTALLATION FRAME	EMERGENCY
GLI-ORD4	4 - 4in Ø	27W - 27 Watts	3SK' - 3 CCT	NC - New construction frame NF - No frame	NB - No battery BB - 8W battery backup

Notes:

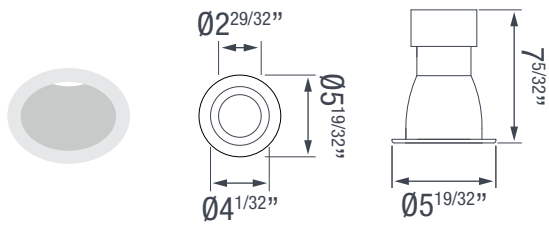
1. Selectable CCTs (3000/3500/4000K)

SPECIFICATIONS

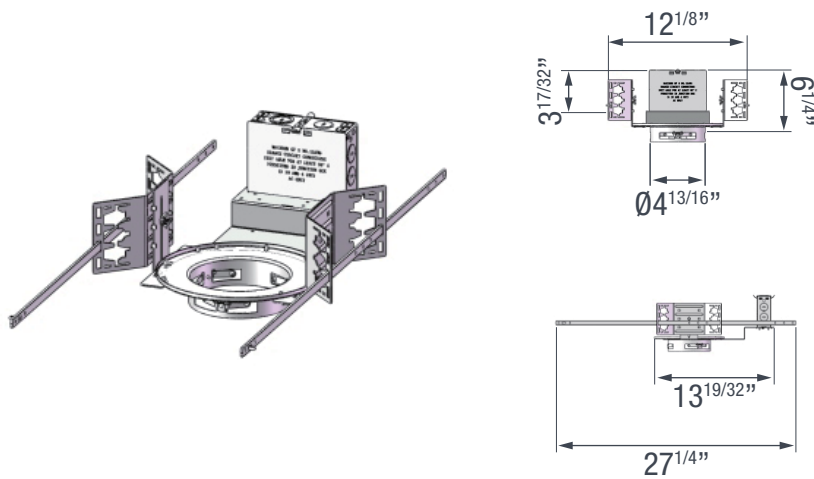
MODEL	WATTAGE	LUMENS	LUMENS/WATT	DIMENSIONS	CCT	IC CEILING
GLI-ORD4	27W/20W/14W	2025LM/1600LM/1150LM	80LM/W	4"	3500K	NO

DIMENSIONS

4"

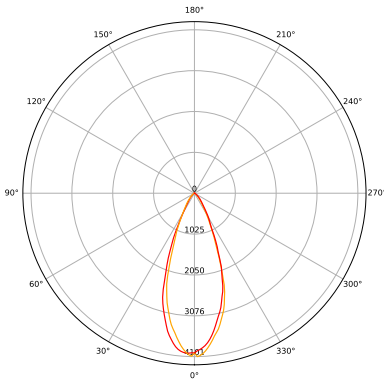


Cut-out diameter: 4"-4.7"

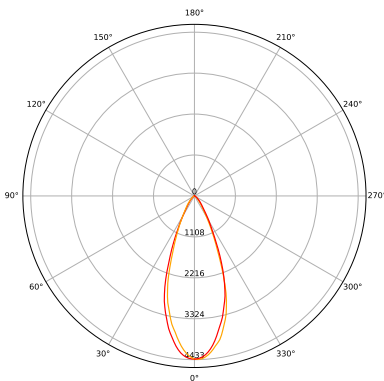


PHOTOMETRY

[↗ IES Files](#)



GLI-ORD4-4-27W-3SK-XX-XX 3CCT@3000K		
ZONE	LUMENS	%
0-30	1,641	79.8%
0-40	1,867	90.8%
0-60	2,023	98.3%
60-90	28	1.4%
70-100	8	0.4%
90-120	0	0.0%
0-90	2,051	99.7%
90-180	6	0.3%
0-180	2,057	100.0%



GLI-ORD4-4-27W-3SK-XX-XX 3CCT@3500K		
ZONE	LUMENS	%
0-30	1,816	79.8%
0-40	2,068	90.8%
0-60	2,240	98.3%
60-90	31	1.4%
70-100	9	0.4%
90-120	0	0.0%
0-90	2,271	99.7%
90-180	6	0.3%
0-180	2,278	100.0%