

# Slim Linear Light Recessed

## GLI-SLLR

INSTALL AND MAINTENANCE MANUAL

### WARNING

1. Read all instructions.
2. Install in accordance with national and local electrical code regulations.
3. This product is intended to be installed and serviced by a qualified, licensed electrician.
4. Turn off electrical power before installing or servicing luminaire in any way.
5. To reduce the risk of fire and overheating, make sure all connections are tight.



**May result in serious injury or death.  
Turn power OFF at circuit breaker  
prior to installation or servicing.**

# Slim Linear Light Recessed

## CAUTION

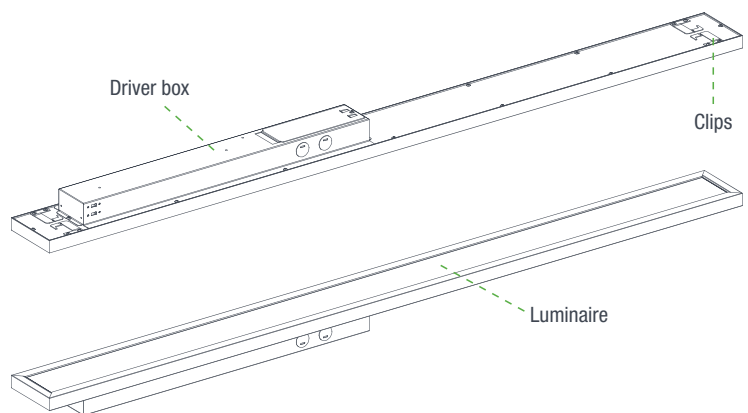
- Verify the input voltage before connecting the fixture to avoid potential damage.
- Installation and removal of the fixture should be performed by qualified personnel.
- Inspect the fixture for any signs of damage upon opening the package. If broken parts, such as glass, are found, contact the supplier for a replacement.
- Only qualified personnel should handle the installation, operation, or removal of the track system.
- To avoid electric shock, ensure the power supply is turned off before installation, removal, or maintenance of the lighting fixture.
- Ensure adequate space is available around the fixture for proper heat dissipation.
- This fixture is NOT SUITABLE for wet locations. Install only in dry or damp environments.
- DO NOT cover the lighting fixture with insulation material, as this may cause overheating.
- Do not install the fixture in areas with combustible vapors or gases present.
- DO NOT pinch, kink, or place excessive tension on wires when joining sections or attaching end caps.

## INSTALLATION INSTRUCTIONS

### PRE-INSTALLATION

Before starting the installation, turn OFF the power at the electrical panel.

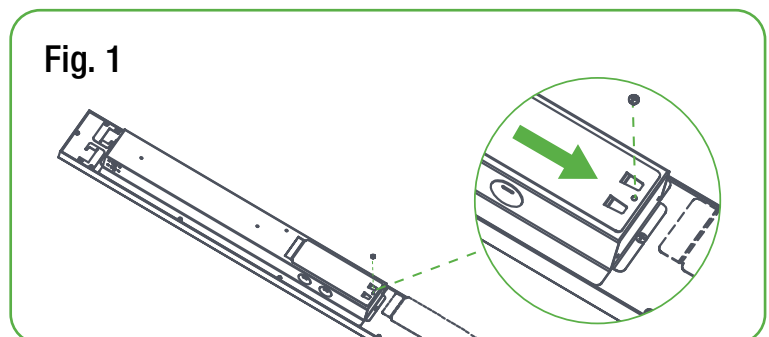
Remove the fixture and all components from the packaging. If any parts are missing, do not assemble, install, or operate the fixture.



### INSTALLATION

#### STEP 1

Remove the driver enclosure screw and slide the cover off. See Fig. 1.



# Slim Linear Light Recessed

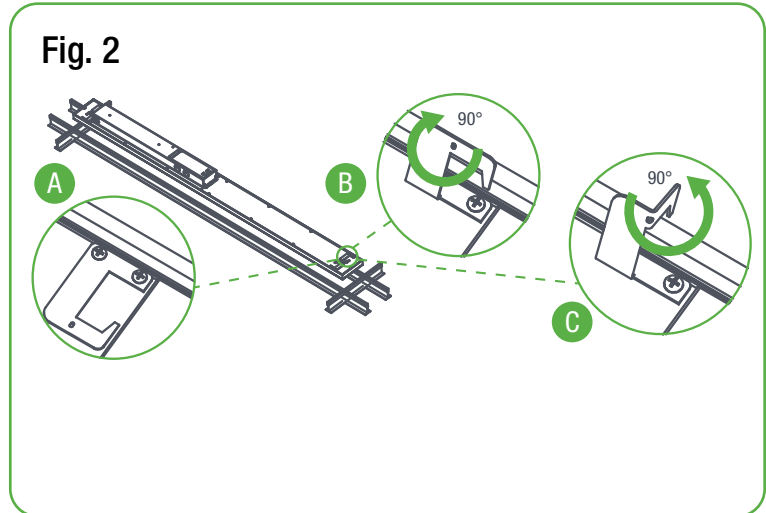
## INSTALLATION INSTRUCTIONS

### STEP 2

Bend the mounting clips upwards and then sideways to securely catch onto the T-bar.

Place the fixture into the designated T-bar space.

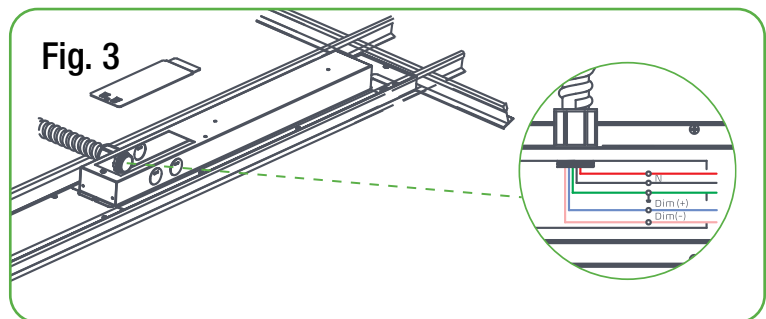
See Fig. 2.



### STEP 3

Wire the fixture according to the wiring diagram

See Fig. 3.



### STEP 4

Slide the driver enclosure cover back into place and secure it by tightening the screw.

See Fig. 4.

