

GLI-SLLR

Slim Linear Light Recessed



Project: _____ Location: _____ Type: _____

Model Number: _____ Qty: _____ Notes: _____ Date: _____



The GOLED Recessed Linear light delivers elegant, efficient lighting for commercial applications. Its design integrates seamlessly into T-bar ceilings, providing a clean, modern look. With adjustable wattage and CCT, high-efficiency LEDs, and superior thermal management, this versatile light is ideal for offices, schools, and hospitals. Enjoy reliable performance with a 5-year warranty and a lifespan of over 50,000 hours.

Lighting:

- High diffusion lens for comfortable light
- High CRI: Minimum 80 color rendering index
- Adjustable CCT of 3000K, 3500K, 4000K

Installation:

- Recessed installation integrates with T-bar ceilings
- Installs seamlessly into T-bar ceiling systems

Electrical:

- 20/15/10W 2', 30/23/15W 3', 40/30/20W 4', 80/60/40W 8' DIP switch selectable output
- 120V-277V internal driver
- High efficiency LEDs provide 85LM/W+
- Standard 1-10V dimming which continuous dims to 10%
- Optional occupancy/daylight sensor

Details:

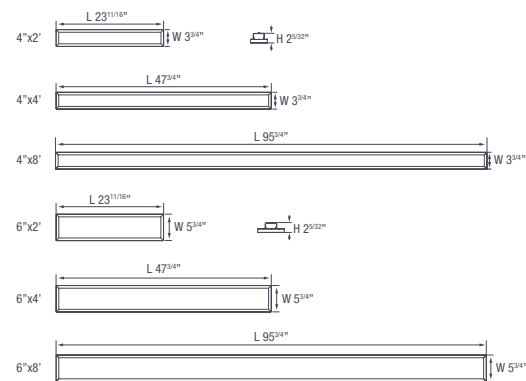
- Extruded aluminum housing, seamless design for superior thermal management
- Powder coated white trim
- Optional emergency 8W 120 minute backup battery

Certifications:

- cULus Listed
- 5 years warranty
- Estimated lifespan of over 50 000 hours

Dimensions:

LR Recessed



ORDERING GUIDE

SERIES	LENGTH	WIDTH	DRIVER	CCT	CONTROL	EMERGENCY
GLI-SLLR	2 - 2ft 4 - 4ft 8 - 8ft	4 - 4in 6 - 6in	ID1 - Internal Driver 110-277V	3SK¹ - 3 CCT	DM - 1-10V OS - Occupancy sensor DO - Daylight and Occupancy sensor	NE - No backup EM - Emergency backup

Notes:

1. Selectable CCTs (3000/3500/4000K)
2. Non-standard option. May be subject to additional lead time and MOQ.

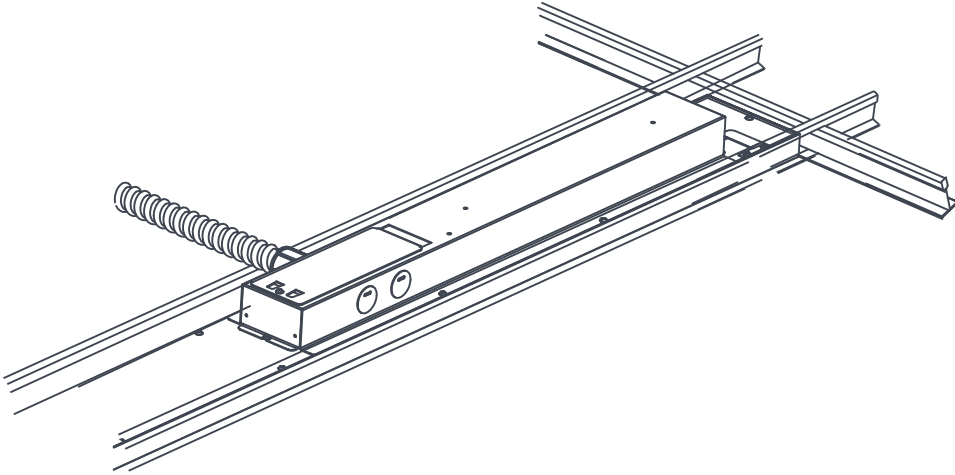
SPECIFICATIONS

MODEL	LENGTH	WIDTH	WATTAGE	LUMENS	LUMENS/FOOT	LUMENS/W	CCT
GLI-SLLR-2-4	2ft	4in	20/15/10W	1700/1275/850LM	850/640/430LM/ft	85LM/W	4000K
GLI-SLLR-4-4	4ft	4in	40/30/20W	3400/2550/1700LM	850/640/430LM/ft	85LM/W	4000K
GLI-SLLR-8-4	8ft	4in	80/60/40W	6800/5100/3400LM	850/640/430LM/ft	85LM/W	4000K
GLI-SLLR-2-6	2ft	6in	20/15/10W	1900/1425/950LM	950/720/480LM/ft	95LM/W	4000K
GLI-SLLR-4-6	4ft	6in	40/30/20W	3800/2850/1900LM	950/720/480LM/ft	95LM/W	4000K
GLI-SLLR-8-6	8ft	6in	80/60/40W	7600/5700/3800LM	950/720/480LM/ft	95LM/W	4000K

All efficacy ratings are ±5%

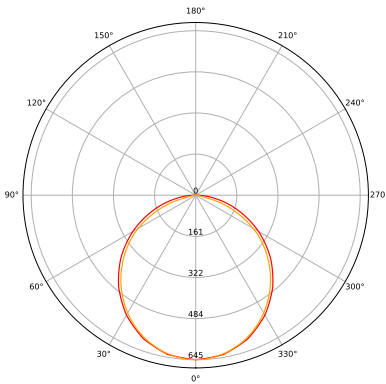
INSTALLATION

LR Recessed
T-bar integrated

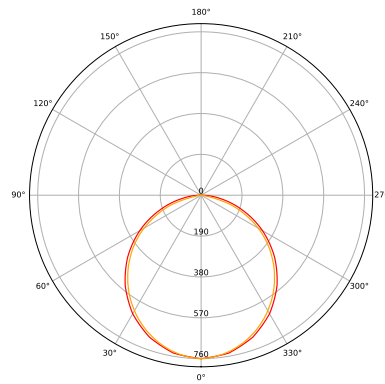


PHOTOMETRY

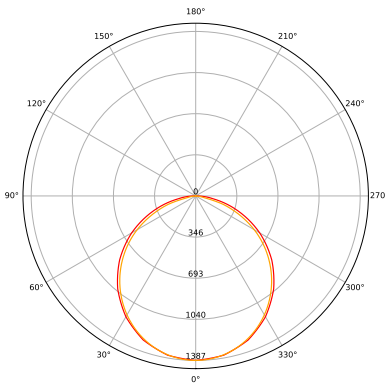
[↗ IES Files](#)



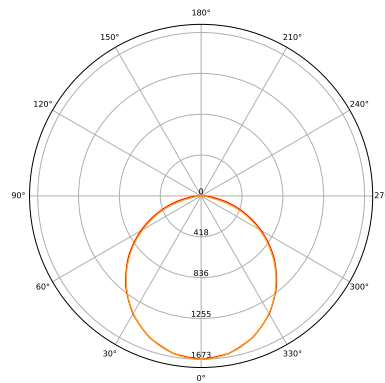
GLI-SLLR-2-4-ID1-3SK-XX-XX 3 CCT@4000K		
ZONE	LUMENS	%
0-30	496	29.3%
0-40	809	47.7%
0-60	1,397	82.4%
60-90	299	17.6%
70-90	114	6.7%
90-120	0	0.0%
0-90	1,696	100.0%
90-180	0	0.0%
0-180	1,696	100.0%



GLI-SLLR-2-6-ID1-3SK-XX-XX 3 CCT@4000K		
ZONE	LUMENS	%
0-30	579	29.0%
0-40	943	47.1%
0-60	1,636	81.8%
60-90	365	18.2%
70-90	141	7.1%
90-120	0	0.0%
0-90	2,000	100.0%
90-180	0	0.0%
0-180	2,000	100.0%



GLI-SLLR-4-4-ID1-3SK-XX-XX 3 CCT@4000K		
ZONE	LUMENS	%
0-30	1,067	30.4%
0-40	1,729	49.2%
0-60	2,914	83.0%
60-90	598	17.0%
70-90	239	6.8%
90-120	0	0.0%
0-90	3,513	100.0%
90-180	0	0.0%
0-180	3,513	100.0%



GLI-SLLR-4-6-ID1-3SK-XX-XX 3 CCT@4000K		
ZONE	LUMENS	%
0-30	1,280	30.2%
0-40	2,076	49.0%
0-60	3,508	82.7%
60-90	733	17.3%
70-90	295	7.0%
90-120	0	0.0%
0-90	4,241	100.0%
90-180	0	0.0%
0-180	4,241	100.0%