

Slim Linear Light Surface

GLI-SLLS

INSTALL AND MAINTENANCE MANUAL

WARNING

1. Read all instructions.
2. Install in accordance with national and local electrical code regulations.
3. This product is intended to be installed and serviced by a qualified, licensed electrician.
4. Turn off electrical power before installing or servicing luminaire in any way.
5. To reduce the risk of fire and overheating, make sure all connections are tight.



**May result in serious injury or death.
Turn power OFF at circuit breaker
prior to installation or servicing.**

Slim Linear Light Surface

CAUTION

- Verify the input voltage before connecting the fixture to avoid potential damage.
- Installation and removal of the fixture should be performed by qualified personnel.
- Inspect the fixture for any signs of damage upon opening the package. If broken parts, such as glass, are found, contact the supplier for a replacement.
- Only qualified personnel should handle the installation, operation, or removal of the track system.
- To avoid electric shock, ensure the power supply is turned off before installation, removal, or maintenance of the lighting fixture.
- Ensure adequate space is available around the fixture for proper heat dissipation.
- This fixture is NOT SUITABLE for wet locations. Install only in dry or damp environments.
- DO NOT cover the lighting fixture with insulation material, as this may cause overheating.
- Do not install the fixture in areas with combustible vapors or gases present.
- DO NOT pinch, kink, or place excessive tension on wires when joining sections or attaching end caps.

INSTALLATION INSTRUCTIONS

PRE-INSTALLATION

Before starting the installation, turn OFF the power at the electrical panel.

Remove the fixture and all components from the packaging. If any parts are missing, do not assemble, install, or operate the fixture.

SURFACE INSTALLATION

STEP 1

Prepare the fixture. See Fig. 1.

- A. Unscrew the surface mount plate.
- B. Slide the surface mount plate towards the arrow.
- C. Remove the surface mount plate.

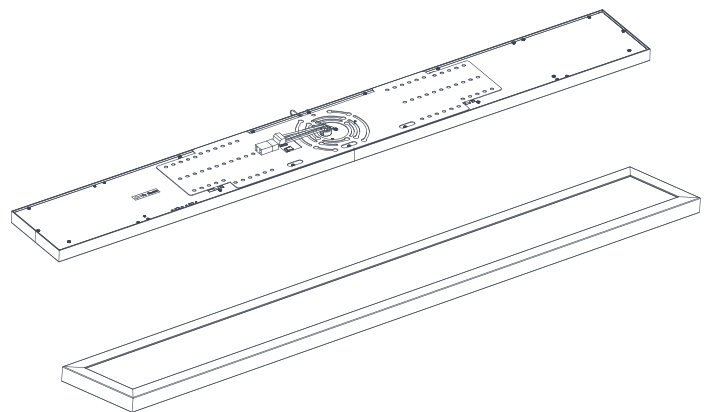
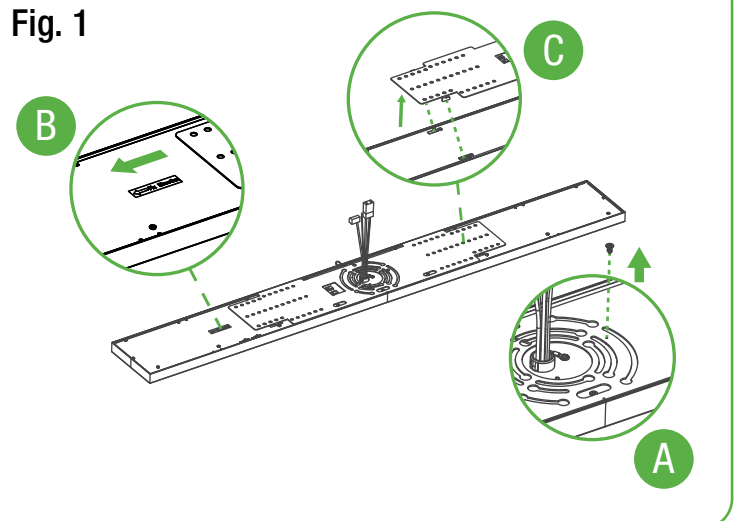


Fig. 1



Slim Linear Light Surface

INSTALLATION INSTRUCTIONS

STEP 2

Attach the surface mount plate. See Fig. 2.

A. Install the surface mount plate to the ceiling using appropriate fasteners.

B. Attach the safety cable.

STEP 3

Wire the fixture according to the wiring diagram

Reattach the spring clips to the mounting plate, then push the fixture up into place.

See Fig. 3.

Fig. 2

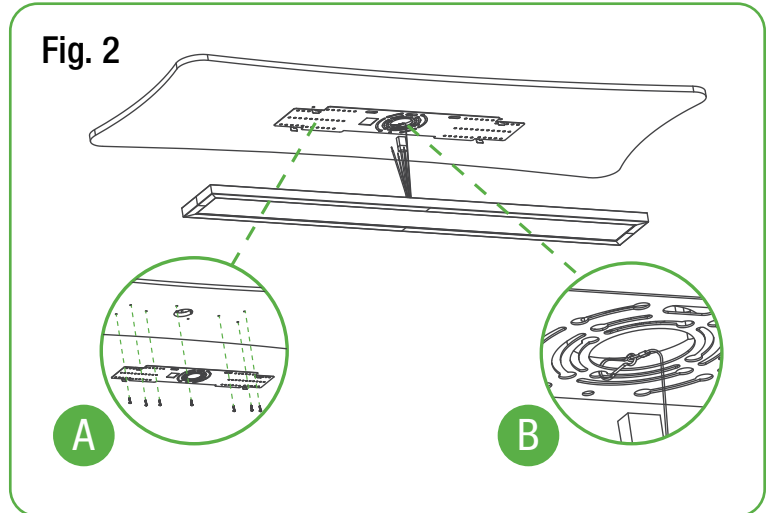


Fig. 3

