


T-Grid Integrated Light

GLI-TGIL

INSTALL AND MAINTENANCE MANUAL

WARNING

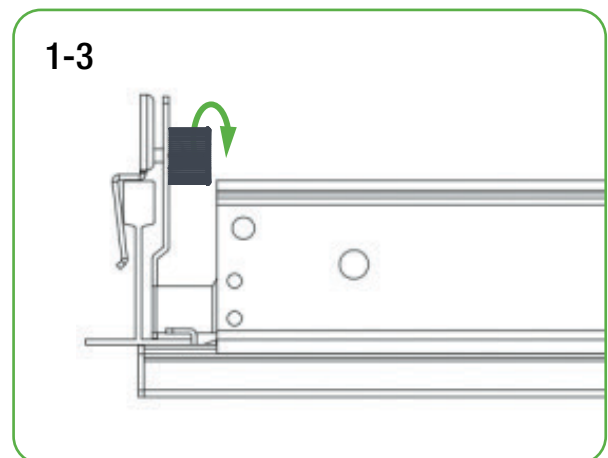
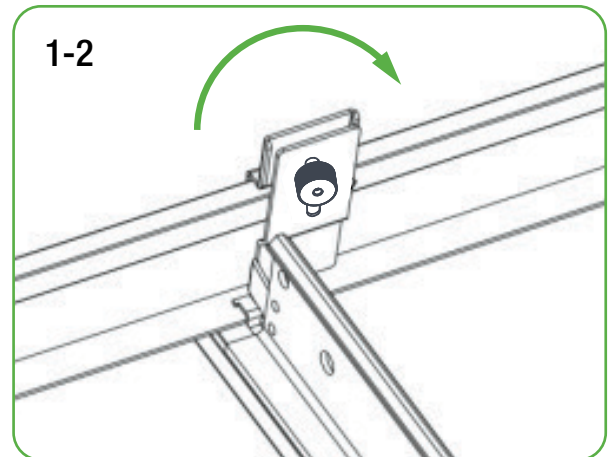
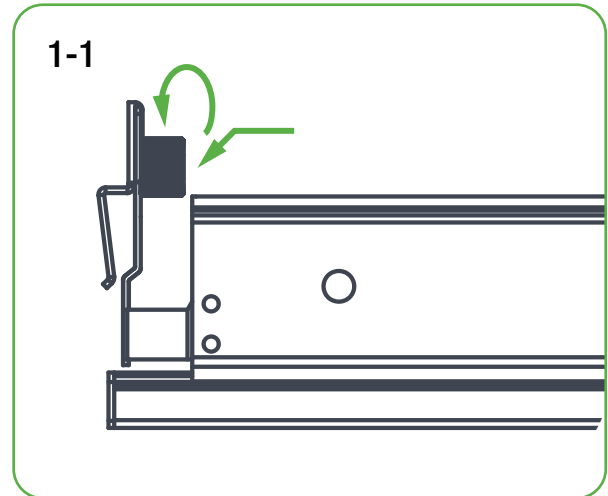
1. Read all instructions.
2. Install in accordance with national and local electrical code regulations.
3. This product is intended to be installed and serviced by a qualified, licensed electrician.
4. Turn off electrical power before installing or servicing luminaire in any way.
5. To reduce the risk of fire and overheating, make sure all connections are tight.

 **May result in serious injury or death.
Turn power OFF at circuit breaker
prior to installation or servicing.**

T-Grid Integrated Light Installation Instructions

STEP 1 LIGHT BAR INSTALLATION

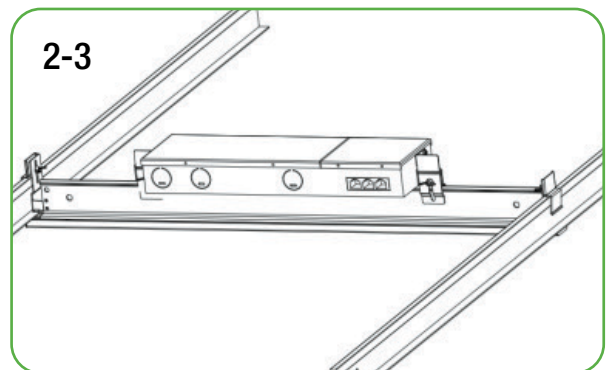
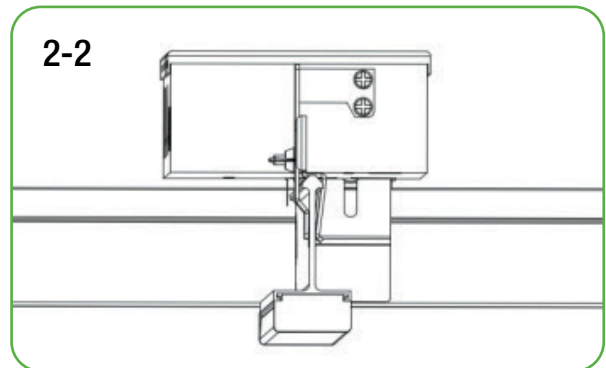
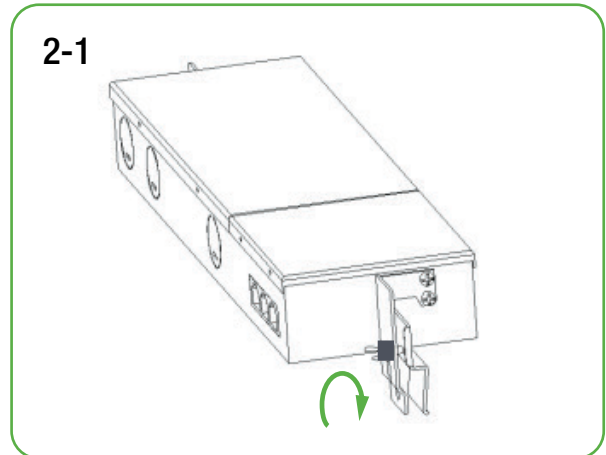
- 1-1. Loosen the two T-bar clip screws located at each end of the luminaire, ensuring the clips can move freely.
- 1-2. Position the luminaire so that the T-bar clips rest securely on the T-bar.
- 1-3. Once the luminaire is properly aligned and seated, tighten the two screws to secure the clips firmly onto the T-bar, locking the luminaire in place.



T-Grid Integrated Light Installation Instructions

STEP 2 DRIVER INSTALLATION

- 2-1. Loosen the two T-bar clip screws located at each end of the driver, ensuring the attachment clips can move freely.
- 2-2. Position the driver on top of the T-bar or light bar, ensuring the clips rest securely.
- 2-3. Tighten the two screws to secure the clips, attaching the driver firmly to the T-bar or light bar.



T-Grid Integrated Light Installation Instructions

STEP 3 WIRING

3-1. Connect the light bar RJ45 cable to the driver's RJ45 port. Repeat for up to three fixtures.

Note that each driver supports a maximum of three lights.

NOTE: Each driver supports a maximum of three lights.

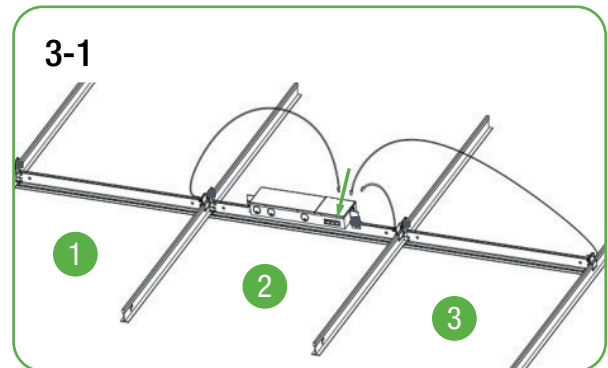
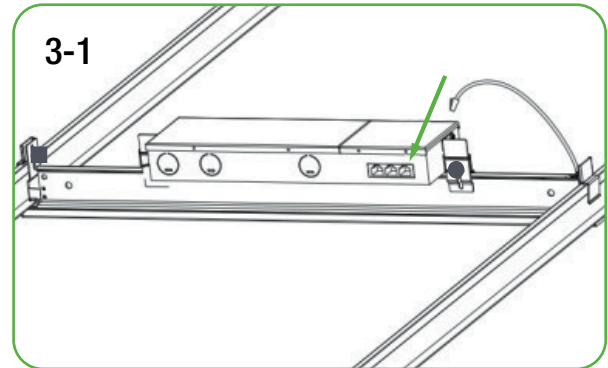
3-2. Open the driver housing by loosening the screw.

3-3. Connect the power (line, neutral, ground) and dimming signal wires (if applicable) according to the wiring diagram.

NOTE: Dimming wires must be isolated if they are not used.

3-4. Ensure all connections are secure, matching the wire colors to the diagram.

3-5. Close the driver housing and secure it with screw.



3-3



STEP 4 FINISHING STEPS

- 4-1. Slide ceiling tile under driver housing.
- 4-2. Complete.

Fig. 9

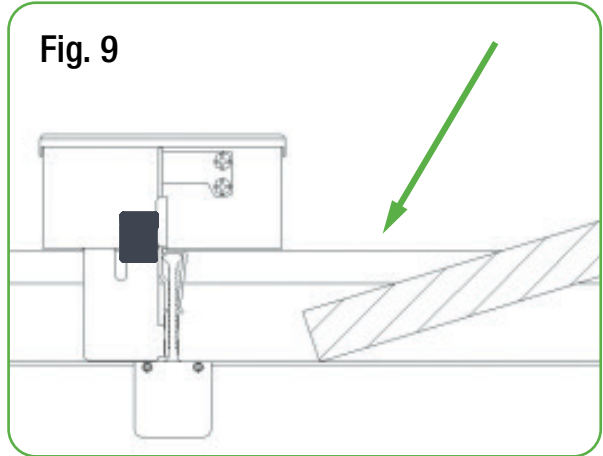
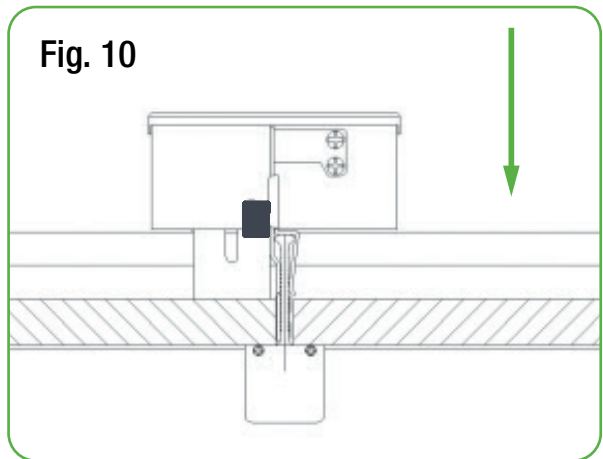


Fig. 10




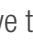
EXAMPLE INSTALLATION

STEP 1 REMOVE T-BAR

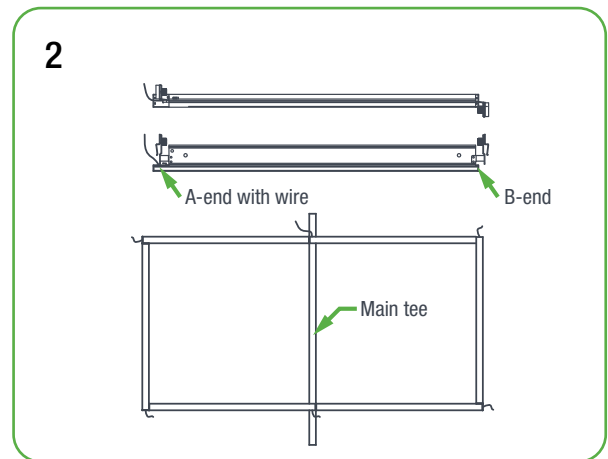
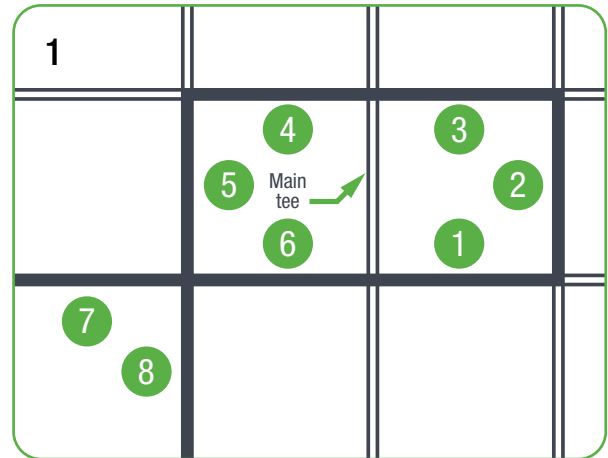
Based on the examples below, remove the corresponding T-bar from the ceiling to match your desired shape design.

For example:

1-1. - For “” shape, remove the No.1, No.2, No.3, No.4, No.5 and No. 6 T-bar.

1-2. - For “” shape, remove the No.5, No.6, No.7, and No.8 T-bar;

NOTE: The adjacent T-grid must be fixed by hanger wire;
DO NOT replace the main-tee. See Fig. 1.



EXAMPLE INSTALLATION

“□” SHAPE INSTALLATION

See Fig. 2-5.

STEP 1

NO. 1 LIGHT FIXTURE- Fix the A-end with wire of the No. 1 light fixture by hanger wire and the B-end on the “a” T-grid.

STEP 2

Fix the NO. 2 LIGHT FIXTURE on the No. 1 light fixture with the A-end with wire, and the B-end on the “b” T-grid.

STEP 3

Fix the NO. 3 LIGHT FIXTURE on the No. 2 light fixture with the A-end with wire, and the B-end on the “c” T-grid.

STEP 4

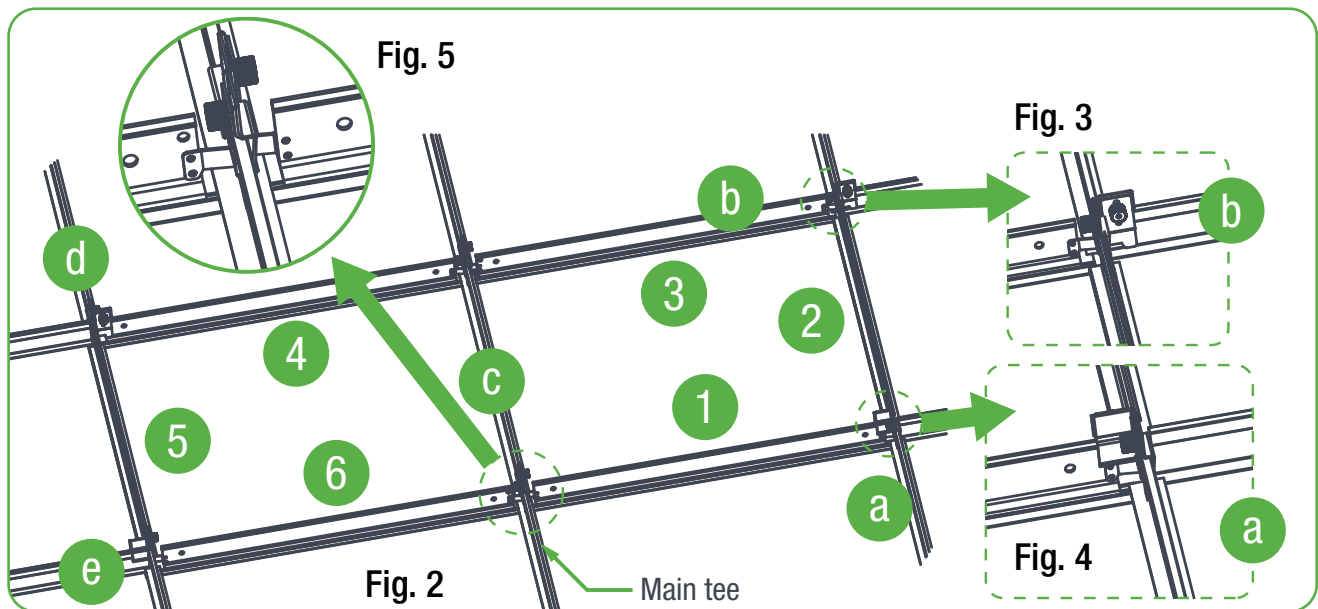
Fix the NO. 4 LIGHT FIXTURE on the “c” T-grid to the A-end with wire, and the B-end on the “d” T-grid.

STEP 5

Fix the NO. 5 LIGHT FIXTURE on the No. 4 light fixture to the A-end with wire, and the B-end on the “e” T-grid.

STEP 6

Fix the NO. 6 LIGHT FIXTURE on the No. 5 light fixture to the A-end with wire, and the B-end on the “c” T-grid.



INSTALLATION INSTRUCTIONS

“T” SHAPE INSTALLATION

STEP 1

Install the NO. 5 LIGHT FIXTURE, fix the A-end with wire of the light fixture on the “d” T-grid and the B-end by pendant.

STEP 2

Fix the A-end with wire of the NO. 6 LIGHT FIXTURE on the No. 5 light fixture and the B-end of the fixture on the “e” T-grid.

Use the same method to fix the A-end with wire of the NO. 7 LIGHT FIXTURE on the “g” T-grid, and the B-end on the “f” T-grid.

“+” SHAPE INSTALLATION

STEP 1

Follow up the “T” shape installation Step 1 to Step 2.

STEP 2

Replace the “f” T-grid with one light fixture.
See Fig. 6, Fig. 7, and Fig. 8.

