

# GLI-TGIL

## T-Grid Integrated Light



Project: \_\_\_\_\_ Location: \_\_\_\_\_ Type: \_\_\_\_\_

Model Number: \_\_\_\_\_ Qty: \_\_\_\_\_ Notes: \_\_\_\_\_ Date: \_\_\_\_\_



The GLI-TGIL T-Grid LED Linear Recessed light is a cutting-edge lighting solution that seamlessly integrates into standard T-grid ceilings, transforming them into a functional light source. This innovative design replaces traditional cross tees, allowing for uniform, high-efficacy illumination. Available in 2-foot and 4-foot lengths, the fixture offers flexible CCT options ranging from 3000K to 5000K, with lumens of up to 650 per foot. Installation is straightforward with tool-free assembly and RJ45 connections, ensuring quick and easy setup. Ideal for modern architectural applications, this luminaire combines aesthetics with advanced functionality.

### Lighting:

- Transforms the T-grid ceiling into an innovative, fully integrated lighting system
- High efficacy with 580LM/ft (9/16" grid) and 650LM/ft (15/16" grid)
- CCT options available: 3000K, 3500K, 4000K, 5000K
- Excellent color consistency across all CCT options

### Installation:

- Integrates seamlessly into 9/16" and 15/16" T-grid ceilings
- Flexible separable design of LED module and T-grid bracket
- Tool-free installation for easy setup

### Electrical:

- Standard 1-10V dimming with 10%-100% range
- Remote driver available for 100-277V AC input
- Connects to the driver with RJ45 for easy and fast installation
- Plenum rated cable and connector options available

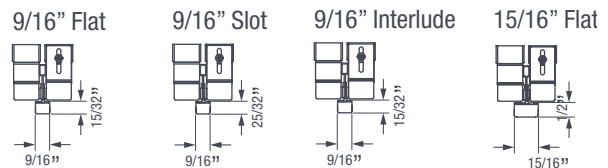
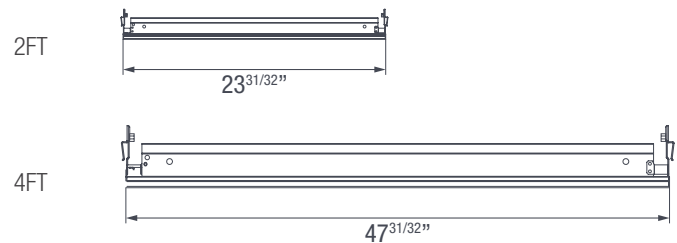
### Details:

- Continuous runs and custom patterns available for design flexibility
- Aluminum housing for superior thermal management
- Optional emergency LED driver for up to 120 minutes of backup lighting

### Certifications:

- cULus Listed for damp locations
- DesignLights Consortium Qualified
- 5 years limited warranty

### Dimensions:



## ORDERING GUIDE

SERIES	LENGTH	DRIVER	CCT	CONTROL	EMERGENCY
<b>GLI-TGIL</b>					
	<b>2</b> - 2ft	<b>RD1</b> - Remote Driver 30W 110-277VAC	<b>30K'</b> - 3000K	<b>DM</b> - 1-10V	<b>NE</b> - No backup
	<b>4</b> - 4ft	<b>RD2</b> - Remote Driver 60W 110-277VAC	<b>35K</b> - 3500K		<b>EM</b> - Emergency backup
		<b>RD3'</b> - Remote Driver 30W 24VDC	<b>40K</b> - 4000K		
		<b>RD4'</b> - Remote Driver 60W 24VDC	<b>50K'</b> - 5000K		

### INSTALLATION KIT



- A** - 9/16" flat
- B** - 9/16" slot
- C'** - 9/16" Interlude
- D** - 15/16" flat

#### Notes:

1. Non-standard option. May be subject to additional lead time and MOQ.

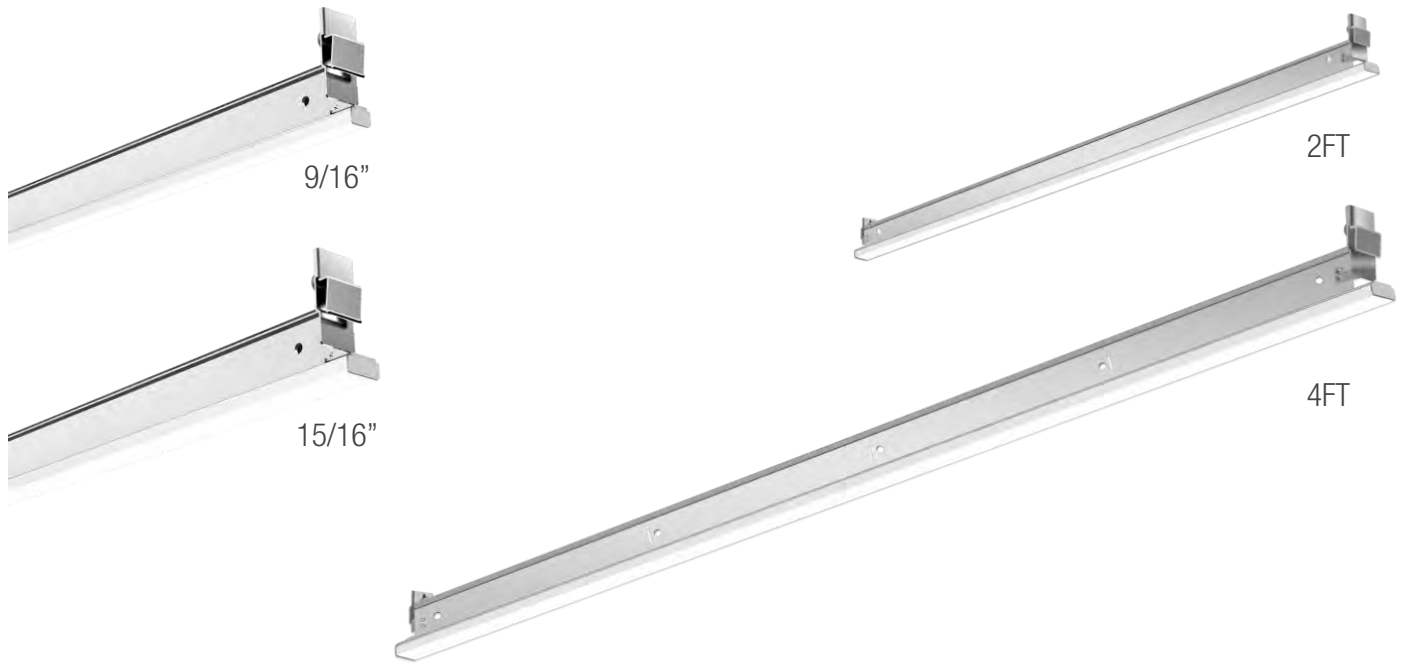
## SPECIFICATIONS

MODEL	LENGTH	WATTAGE	LUMENS	LUMENS/FOOT	LUMENS/W	CCT
GLI-TGIL-2-XX-A	2 ft	10W	1160LM	580LM/ft	58LM/W	4000K
GLI-TGIL-4-XX-A	4 ft	20W	2320LM	580LM/ft	58LM/W	4000K
GLI-TGIL-2-XX-D	2 ft	10W	1300LM	650LM/ft	65LM/W	4000K
GLI-TGIL-4-XX-D	4 ft	20W	2600LM	650LM/ft	65LM/W	4000K

All efficacy ratings may vary by  $\pm 5\%$  depending on the selected CCT.

**DIMENSIONS**

2FT AND 4FT WITH 9/16" AND 15/16" OPTIONS



**VERSATILE COMPATIBILITY TO VARIOUS T-GRIDS**



## T-GRIDS CEILING COMPATIBILITY

### Milky Diffusing

9/16" Flat



Suprafine® XL



9/16" Interlude



Interlude® XL



Sonata® XL



9/16" Slot



Silhouette® 1/4"XL Silhouette® 1/8"XL



15/16" Flat



Prelude® XL



CleanRoom

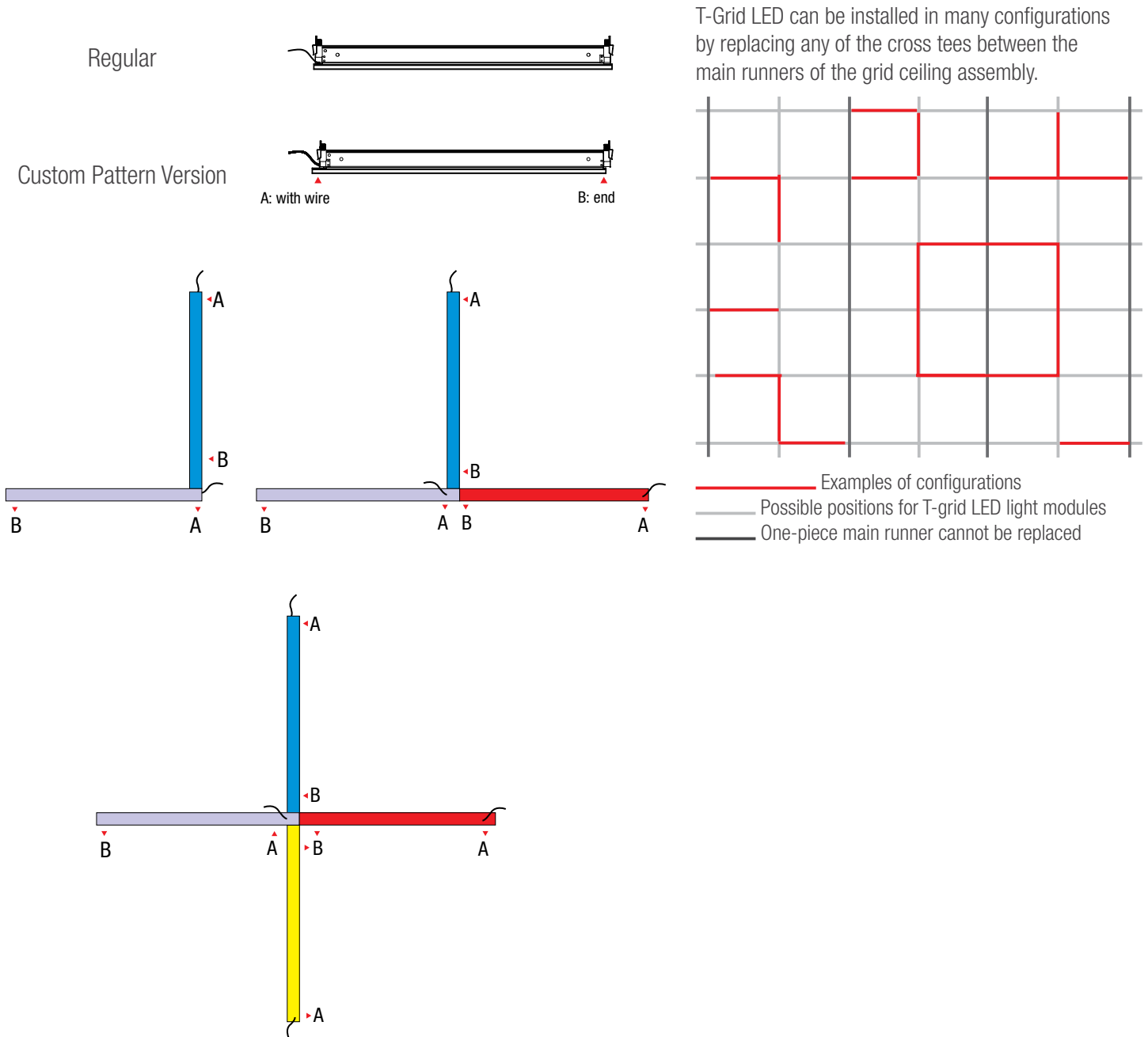


## MOUNTING

TGIL is a lighting solution that can replace various 9/16" and 15/16" cross bars of the grid ceiling, allowing our linear light to be seamlessly integrated into the suspended ceiling. Driver can be attached to the grid and wiring is done through standard RJ45 cables and connectors.

### FLEXIBLE LIGHTING SOLUTION - Design Custom Pattern To Your Space

TGIL creates compelling spaces with the flexibility of turns and splits such as T and +. Your space is no longer restricted to a single pattern on the ceiling.



Remark: Only one A-end with wire in joint