

# LED Slim Linear Up Down Pendant

## GLI-UDPL

INSTALL AND MAINTENANCE MANUAL

### WARNING

1. Read all instructions.
2. Install in accordance with national and local electrical code regulations.
3. This product is intended to be installed and serviced by a qualified, licensed electrician.
4. Turn off electrical power before installing or servicing luminaire in any way.
5. To reduce the risk of fire and overheating, make sure all connections are tight.



**May result in serious injury or death.  
Turn power OFF at circuit breaker  
prior to installation or servicing.**

# LED Slim Linear Up Down Pendant

## CAUTION

- Ensure the input voltage is compatible with the fixture to prevent damage.
- Always switch off the breaker and verify that it is off before connecting the fixture to prevent electric shock.
- Make sure all electrical connections are tight to reduce the risk of fire and overheating.
- Installation, removal, and maintenance should be performed by qualified technical personnel.
- Do not install in wet locations. For dry and damp use only.
- Select suitable fasteners based on the surface and weight of the fixture to ensure secure installation.
- Do not cover the lighting fixture with insulation or similar materials to prevent overheating.
- Seamless continue runs per power feed:
- **IMPORTANT:** When linking fixtures electrically, do not exceed the following number of fixtures per feed:  
GLI-UDPL-4: 9 pieces at 120V AC, 20 pieces at 277V AC, and 26 pieces at 347V AC.  
GLI-UDPL-8: 4 pieces at 120V AC, 10 pieces at 277V AC, and 12 pieces at 347V AC.

## INSTALLATION INSTRUCTIONS

### PRE-INSTALLATION

Before starting the installation, turn OFF the power at the electrical panel.

Remove the fixture and all components from the packaging. If any parts are missing, do not assemble, install, or operate the fixture.

### WIRING DIAGRAM

See Fig. 1 for wiring connections.

### ATTENTION

Do not remove the lens protective film until the installation is complete.

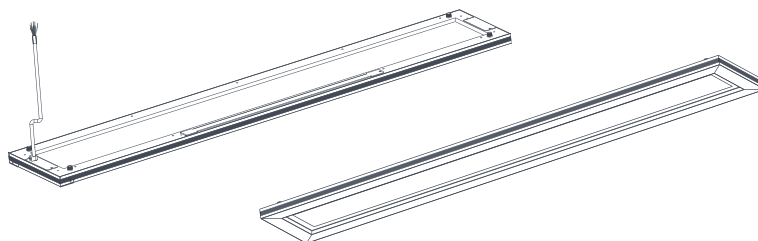
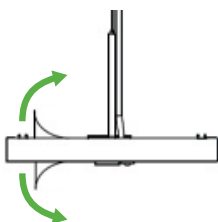
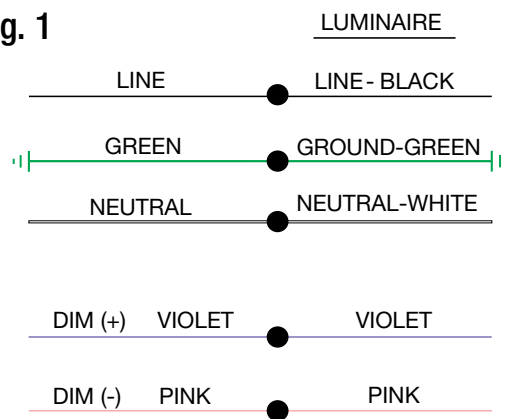


Fig. 1



# LED Slim Linear Up Down Pendant

## J-BOX INSTALLATION INSTRUCTIONS

### COMPONENTS

3 - Wire Nut



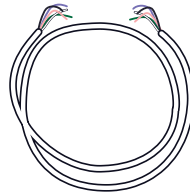
4 - Junction Box Crossbar



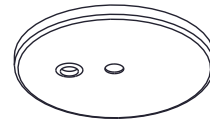
5 - Screw PM4\*22



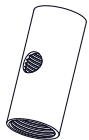
6 - Power Cord



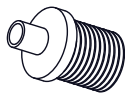
7 - 4" Canopy Power Feed



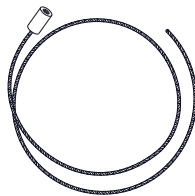
8 - Cable Gripper Coupling



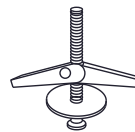
9 - Cable Gripper



10 - Aircraft Cable



12 - Butterfly Drywall Anchor



13 - Crimp Stud



14 - 2" Canopy



16 - Anchor



17 - Screw PA4\*30



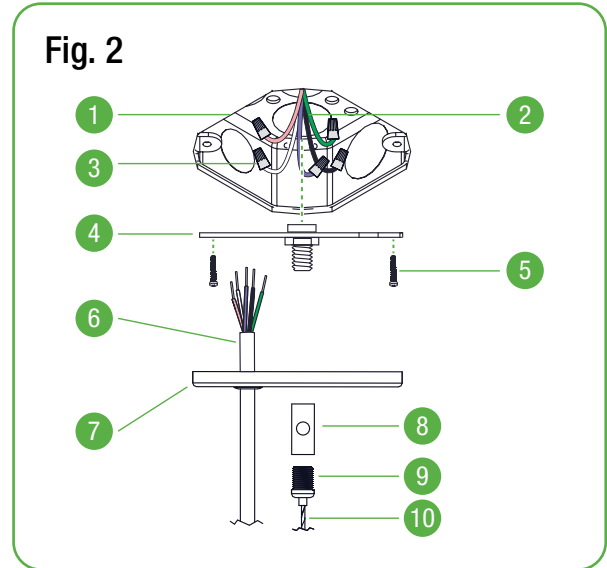
# LED Slim Linear Up Down Pendant

## J-BOX INSTALLATION INSTRUCTIONS

### POWER FEED SIDE

See Fig. 2.

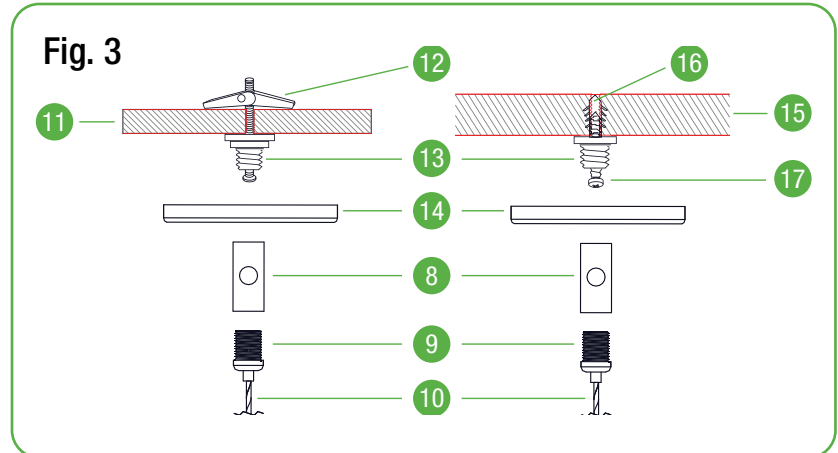
1. Attach (4) Junction Box Crossbar to (1) Junction Box.
2. Place (7) 4" Canopy Power Feed onto (6) Power Cord.
3. Wire the fixture according to Fig. 2.
4. Raise (7) 4" Canopy Power Feed until the mounting stud of (4) Junction Box Crossbar comes through.
5. Screw (8) Cable Gripper Coupling to secure (7) Canopy in place.
6. Screw (9) Cable Gripper onto (8) Cable Gripper Coupling.
7. Thread (10) Aircraft Cable through (9) Cable Gripper.



### NON POWER SIDE

See Fig. 3.

1. Attach (13) Crimp Stud to the mounting surface using (12) Butterfly Drywall Anchor or (16) Anchor and (17) Screw PA4\*30.
2. Place (14) 2" Canopy over (13) Crimp Stud and screw (8) Cable Gripper Coupling to hold it in place.
3. Screw (9) Cable Gripper onto (8) Cable Gripper Coupling.
4. Thread (10) Aircraft Cable through (9) Cable Gripper.



⚠️ **ADJUST THE HEIGHT OF LUMINAIRE:** Luminaire can be raised by pulling cable through the gripper and can be lowered by depressing the top cylinder on the gripper which pulls the luminaire down.

⚠️ **LOCK HEIGHT:** After adjusting the luminaire height, screw each bottom part of the cable grippers clockwise to secure them in place.

# LED Slim Linear Up Down Pendant

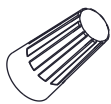
## T-BAR INSTALLATION INSTRUCTIONS

### COMPONENTS

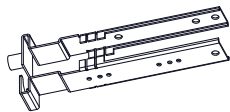
3 - 4" Octagon Junction Box



4 - Wire Nut



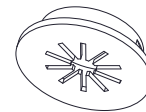
5 - Assembled T-Grid Clips



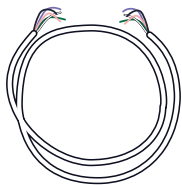
6 - Screw 6#\*4



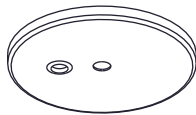
8 - Plastic Grommet



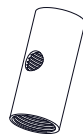
10 - Power Cord



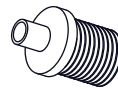
11 - 4" Canopy Power Feed



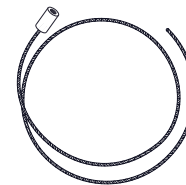
12 - Cable Gripper Coupling



13 - Cable Gripper



14 - Aircraft Cable



15 - 2" Canopy



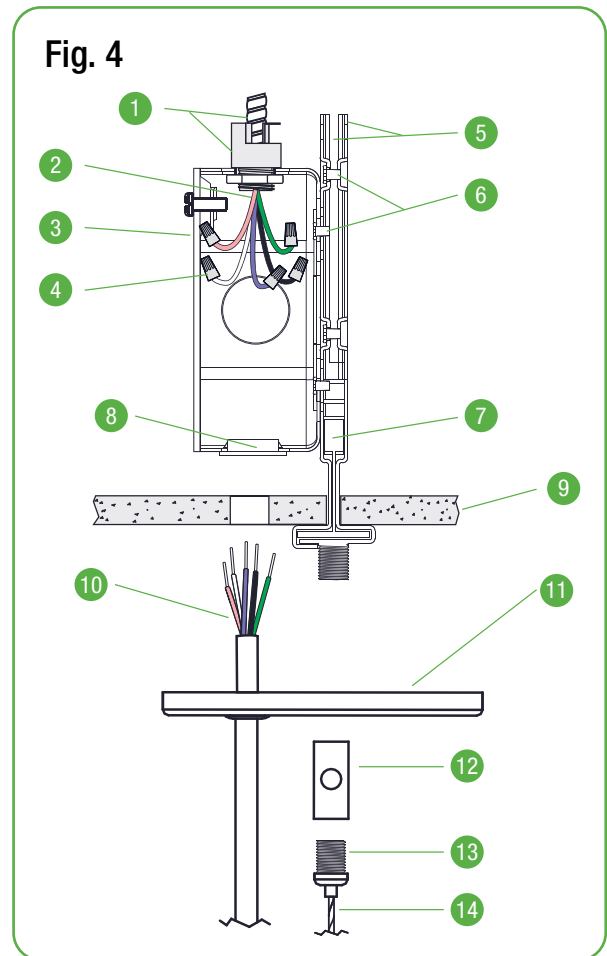
# LED Slim Linear Up Down Pendant

## T-BAR INSTALLATION INSTRUCTIONS

### POWER FEED SIDE

See Fig. 4.

1. Knock out the corresponding hole in the octagon junction box and install (8) Plastic Grommet.
2. Place (5) T-Grid Clips on both sides of the T-Grid.
3. Attach (3) 4" Octagon Junction Box to the two (5) T-Grid Clips using the provided (6) Screws, fastening the octagon box and clips together.
4. Place (11) 4" Canopy Power Feed onto (10) Power Cord.
5. Wire the fixture according to Fig. 2.
6. Raise (11) 4" Canopy Power Feed until the mounting stud comes through.
7. Screw (12) Cable Gripper Coupling to secure (11) Canopy in place.
8. Screw (13) Cable Gripper onto (12) Cable Gripper Coupling.
9. Thread (14) Aircraft Cable through (13) Cable Gripper.



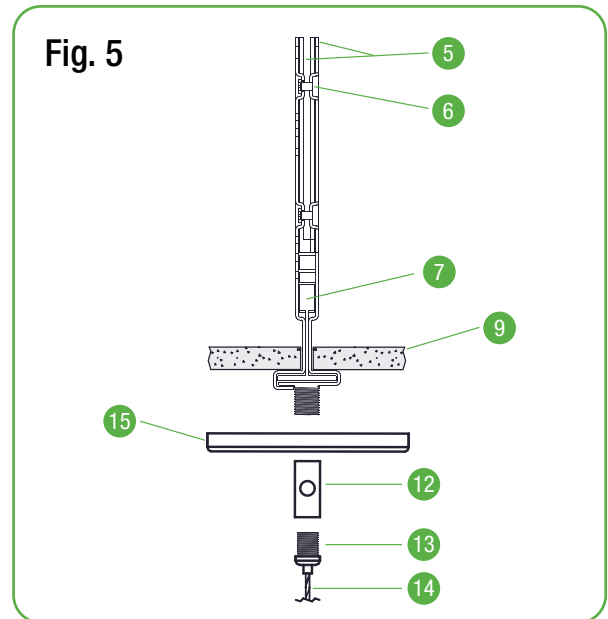
# LED Slim Linear Up Down Pendant

## T-BAR INSTALLATION INSTRUCTIONS

### NON POWER SIDE

See Fig. 5.

1. Place (5) T-Grid Clips on both sides of the T-Grid.
2. Using the provided (6) Screws, securing the clips firmly in place.
3. Raise (15) 2" Canopy until the mounting stud comes through.
4. Screw (12) Cable Gripper Coupling to secure (11) Canopy in place.
5. Screw (13) Cable Gripper onto (12) Cable Gripper Coupling.
6. Thread (14) Aircraft Cable through (13) Cable Gripper.



- ⚠️ **ADJUST THE HEIGHT OF LUMINAIRE:** Luminaire can be raised by pulling cable through the gripper and can be lowered by depressing the top cylinder on the gripper which pulls the luminaire down.
- ⚠️ **LOCK HEIGHT:** After adjusting the luminaire height, screw each bottom part of the cable grippers clockwise to secure them in place.

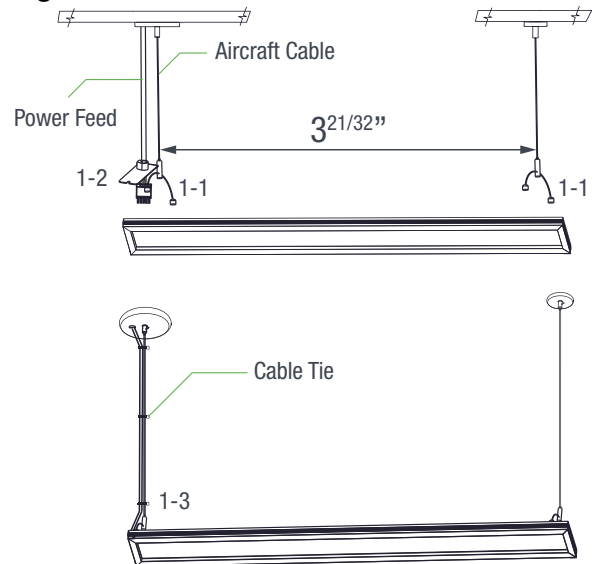
# LED Slim Linear Up Down Pendant

## SINGLE FIXTURE INSTALLATION

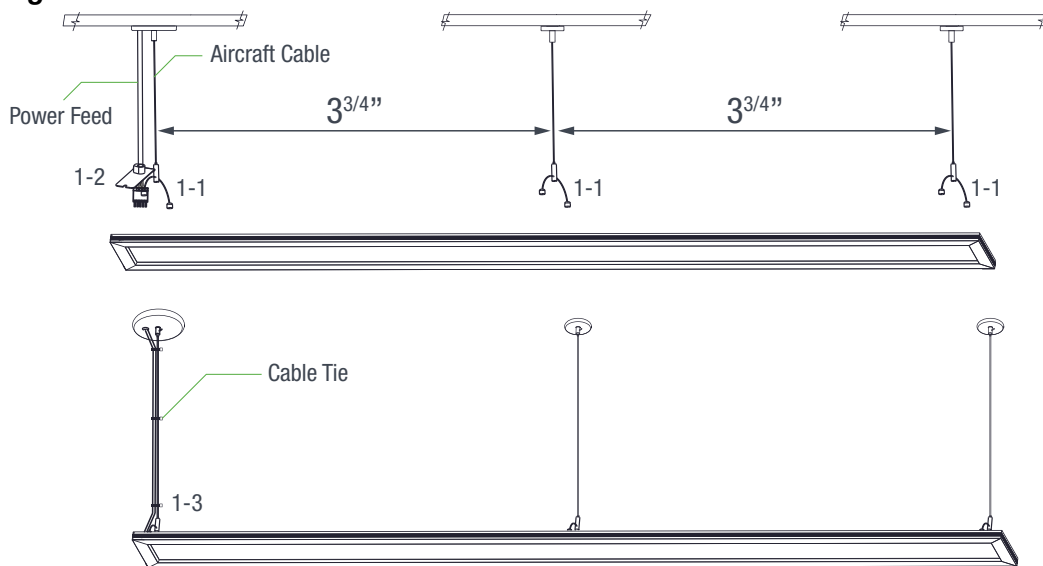
See Fig. 6 or Fig. 7.

1. Screw the aircraft cables clockwise onto the top of the luminaire (1-1).
2. Remove the power cover plate (1-2).
3. Connect the power cord to the fixture's quick connect terminal.
4. Replace the covers and fasten them to the light fixture.
5. Fasten the power cord and aircraft suspension cable with cable ties if needed (1-3).

**Fig. 6**



**Fig. 7**





# LED Slim Linear Up Down Pendant

## MULTIPLE LINKED FIXTURES INSTALLATION

See Fig. 8 & Fig. 9.

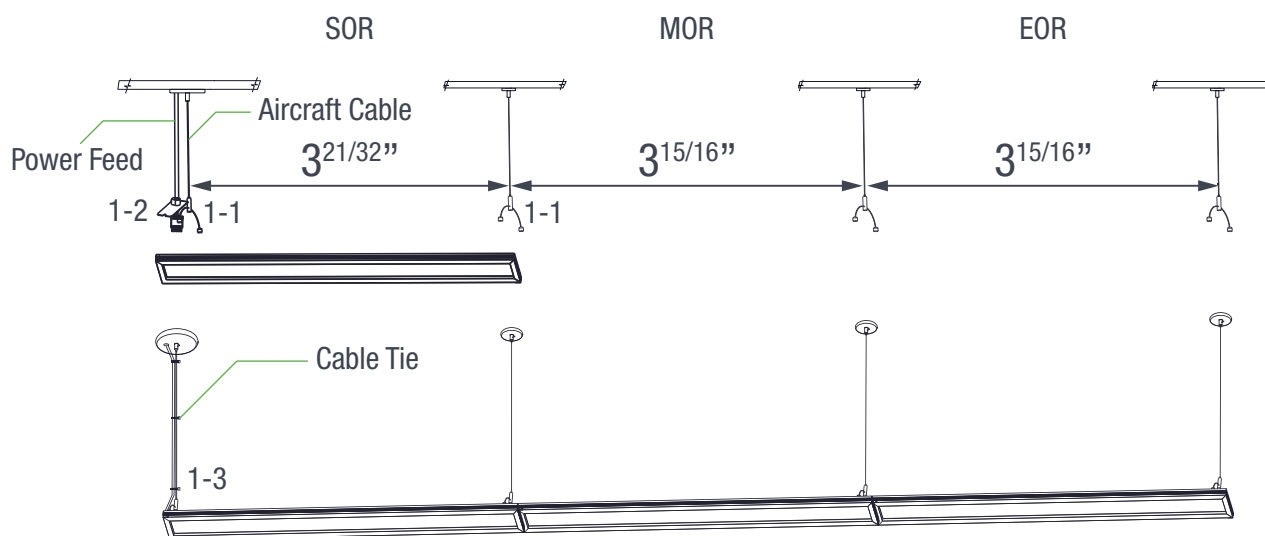
1. Install mounting hardware power feed at start of run (SOR) and non power feed at middle of run (MOR) and end of run (EOR)
2. Screw the aircraft cables clockwise onto the top of the luminaire (1-1).

⚠ When linking fixtures electrically, do not exceed the following number of fixtures per feed:

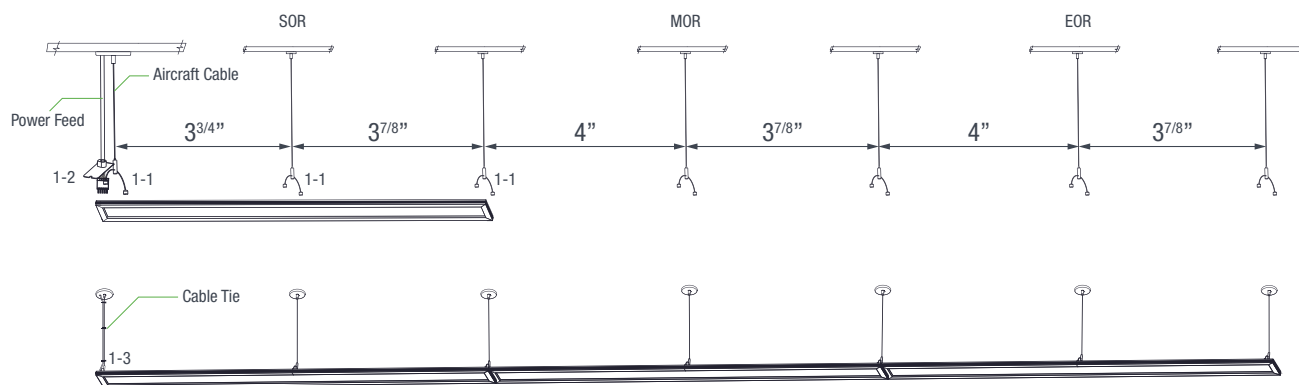
GLI-UDPL-4: 9 pieces at 120V AC, 20 pieces at 277V AC, and 26 pieces at 347V AC.

GLI-UDPL-8: 4 pieces at 120V AC, 10 pieces at 277V AC, and 12 pieces at 347V AC.

**Fig. 8 4' UP/DOWN LUMINAIRE**



**Fig. 9 8' UP/DOWN LUMINAIRE**



# LED Slim Linear Up Down Pendant

## MULTIPLE LINKED FIXTURES INSTALLATION

1. Mount the joint plate on both sides to join two luminaires together. See Fig. 10.
2. Remove the existing covers, then properly connect the quick connectors. See Fig. 11.
3. Screw the joint cover into place. See Fig. 12.

