



VPLI V Pendant Linear

INSTALLATION INSTRUCTIONS

Table Of Contents

Hardware Installation

Solid Ceiling05
T-Bar Ceiling.....07

Light Installation

Independent Luminaire.....09
Multiple Luminaries Connection10

WARNING

1. Read all instructions.
2. Install in accordance with national and local electrical code regulations.
3. This product is intended to be installed and serviced by a qualified, licensed electrician.
4. Do not install in wet locations. For dry and damp use only.
5. Turn off electrical power before installing or servicing fixture in any way.
6. To reduce the risk of fire and overheating, make sure all connections are tight.
7. Under no circumstances can the lighting fixture be covered with heat insulation gasket or similar materials.

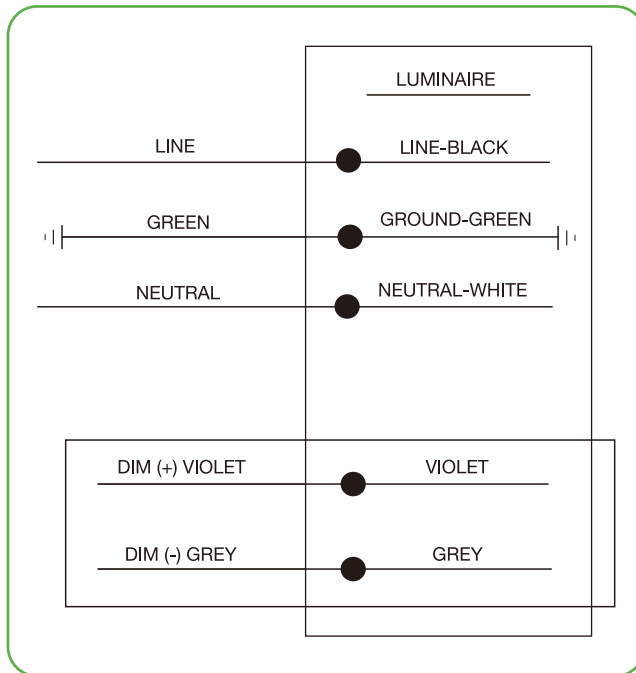


**May result in serious injury or death.
Turn power OFF at circuit breaker prior
to installation or servicing.**

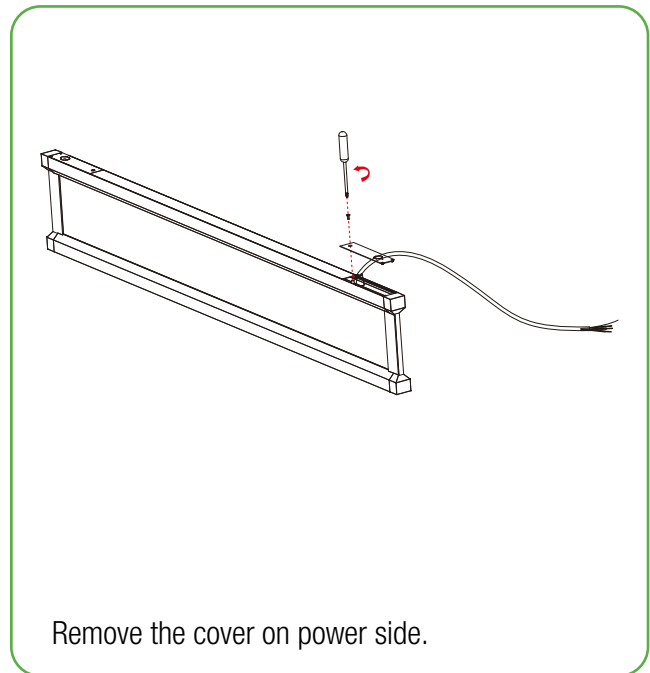
TOOLS:

1. Sharp Side Cutter
2. Electric Drill
3. Level
4. Measuring Tool
5. Wire Stripper / Knife
6. Philips Screwdrivers
7. Wire Cutters

WIRING DIAGRAM



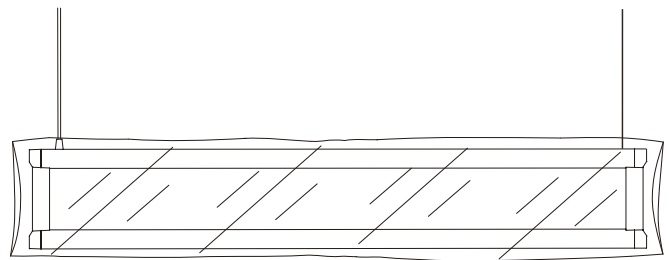
FIXTURE PREPARATION



- ! **Cut all power cords to the appropriate and equal lengths based on pendant height before installation.**

ATTENTION:

1. Keep the protective bags and films on the fixtures until construction phase is complete.
2. The fixture can be operated normally with the protective bag on.

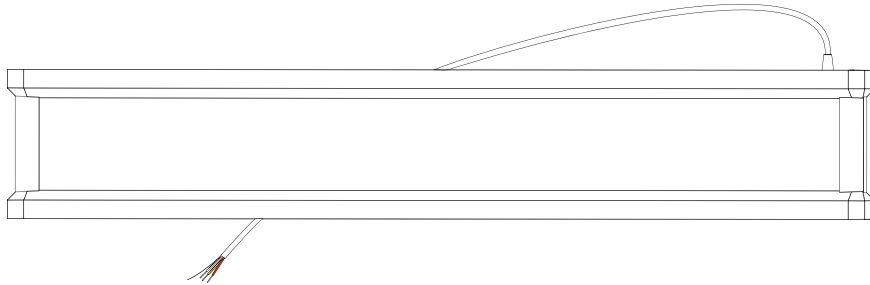


VPLI V Pendant Linear

CAUTION

- Ensure the input voltage is compatible with the fixture to prevent damage.
- Always switch off the breaker and verify that it is off before connecting the fixture to prevent electric shock.
- Make sure all electrical connections are tight to reduce the risk of fire and overheating.
- Installation, removal, and maintenance should be performed by qualified technical personnel.
- Do not install in wet locations. For dry and damp use only.
- Select suitable fasteners based on the surface and weight of the fixture to ensure secure installation.
- Do not cover the lighting fixture with insulation or similar materials to prevent overheating.
- Seamless continue runs per power feed:
- **IMPORTANT:** When linking fixtures electrically, do not exceed the following number of fixtures per feed:
 - 120VAC: Connections up to 40ft
 - 277VAC: Connections up to 100ft
 - 347VAC: Connections up to 120ft

4FT INTERNAL DRIVER VERSION



VPLI V Pendant Linear Installation Instructions

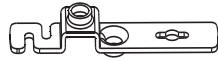
SOLID CEILING

COMPONENTS

3 - Wire Nut



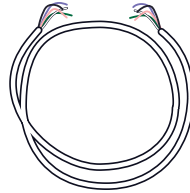
4 - Junction
Box Crossbar



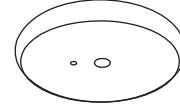
5 - Screw
PM4×22



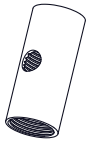
6 - Power Cord



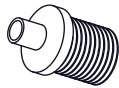
7 - 4" Power
canopy



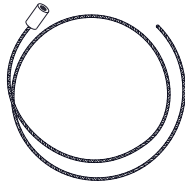
8 - Cable Gripper
Coupling



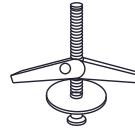
9 - Cable Gripper



10 - Aircraft Cable



12 - Butterfly
Drywall Anchor



13 - Crimp Stud



14 - 2" Canopy



16 - Anchor



17 - Screw PA4*30



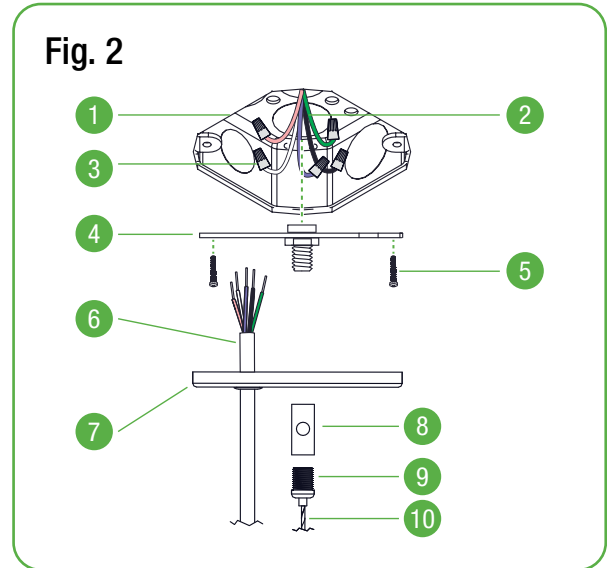
VPLI V Pendant Linear

SOLID CEILING - J-BOX INSTALLATION INSTRUCTIONS

POWER FEED SIDE

See Fig. 2.

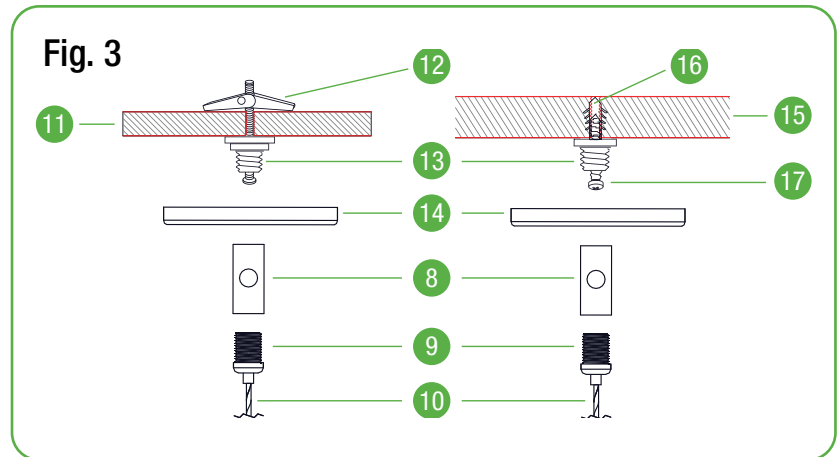
1. Attach (4) Junction Box Crossbar to (1) Junction Box.
2. Place (7) 4" Canopy Power Feed onto (6) Power Cord.
3. Wire the fixture according to Fig. 2.
4. Raise (7) 4" Canopy Power Feed until the mounting stud of (4) Junction Box Crossbar comes through.
5. Screw (8) Cable Gripper Coupling to secure (7) Canopy in place.
6. Screw (9) Cable Gripper onto (8) Cable Gripper Coupling.
7. Thread (10) Aircraft Cable through (9) Cable Gripper.



NON POWER SIDE

See Fig. 3.

1. Attach (13) Crimp Stud to the mounting surface using (12) Butterfly Drywall Anchor or (16) Anchor and (17) Screw PA4*30.
2. Place (14) 2" Canopy over (13) Crimp Stud and screw (8) Cable Gripper Coupling to hold it in place.
3. Screw (9) Cable Gripper onto (8) Cable Gripper Coupling.
4. Thread (10) Aircraft Cable through (9) Cable Gripper.



⚠️ **ADJUST THE HEIGHT OF LUMINAIRE:** Luminaire can be raised by pulling cable through the gripper and can be lowered by depressing the top cylinder on the gripper which pulls the luminaire down.

⚠️ **LOCK HEIGHT:** After adjusting the luminaire height, screw each bottom part of the cable grippers clockwise to secure them in place.

T-BAR INSTALLATION INSTRUCTIONS

COMPONENTS

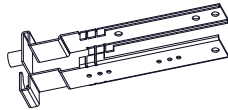
3 - 4" Octagon Junction Box



4 - Wire Nut



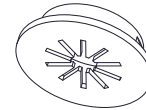
5 - Assembled T-Bar Clips



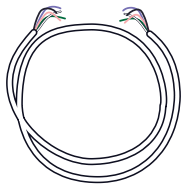
6 - Screw 6#*4



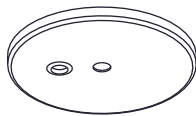
8 - Plastic Grommet



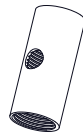
10 - Power Cord



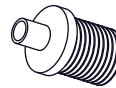
11 - 4" Canopy Power Feed



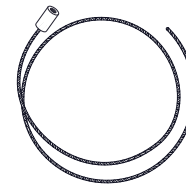
12 - Cable Gripper Coupling



13 - Cable Gripper



14 - Aircraft Cable



15 - 2" Canopy



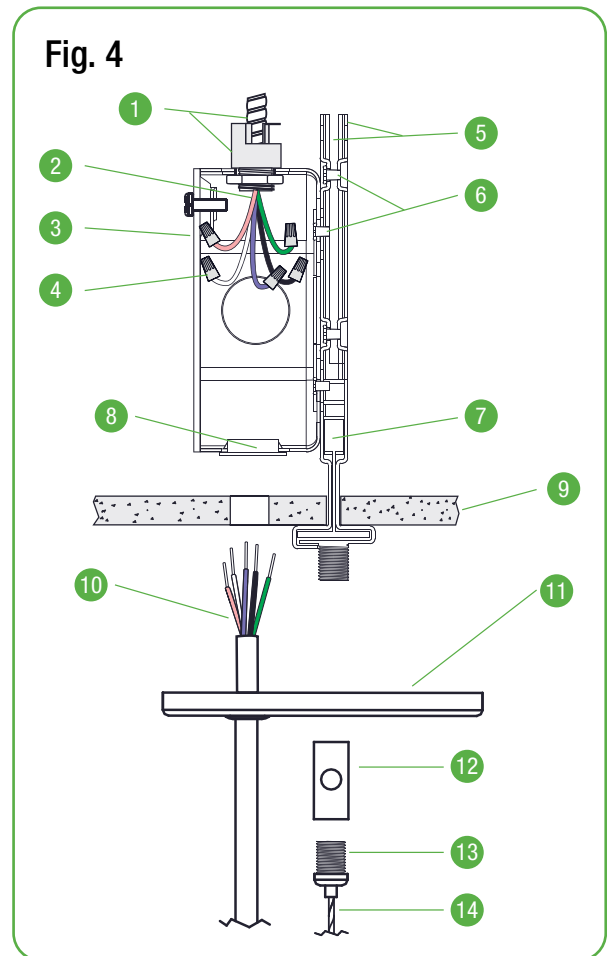
VPLI V Pendant Linear

T-BAR INSTALLATION INSTRUCTIONS

POWER FEED SIDE

See Fig. 4.

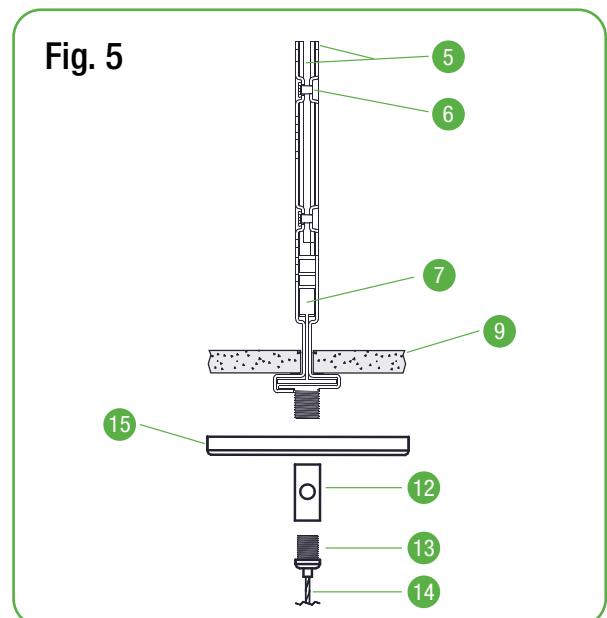
1. Knock out the corresponding hole in the octagon junction box and install (8) Plastic Grommet.
2. Place (5) T-Bar Clips on both sides of the T-Bar.
3. Attach (3) 4" Octagon Junction Box to the two (5) T-Bar Clips using the provided (6) Screws, fastening the octagon box and clips together.
4. Place (11) 4" Canopy Power Feed onto (10) Power Cord.
5. Wire the fixture according to Fig. 2.
6. Raise (11) 4" Canopy Power Feed until the mounting stud comes through.
7. Screw (12) Cable Gripper Coupling to secure (11) Canopy in place.
8. Screw (13) Cable Gripper onto (12) Cable Gripper Coupling.
9. Thread (14) Aircraft Cable through (13) Cable Gripper.



NON POWER SUSPENSION

See Fig. 5.

1. Place (5) T-Bar Clips on both sides of the T-Bar.
2. Using the provided (6) Screws, securing the clips firmly in place.
3. Raise (15) 2" Canopy until the mounting stud comes through.
4. Screw (12) Cable Gripper Coupling to secure (11) Canopy in place.
5. Screw (13) Cable Gripper onto (12) Cable Gripper Coupling.
6. Thread (14) Aircraft Cable through (13) Cable Gripper.

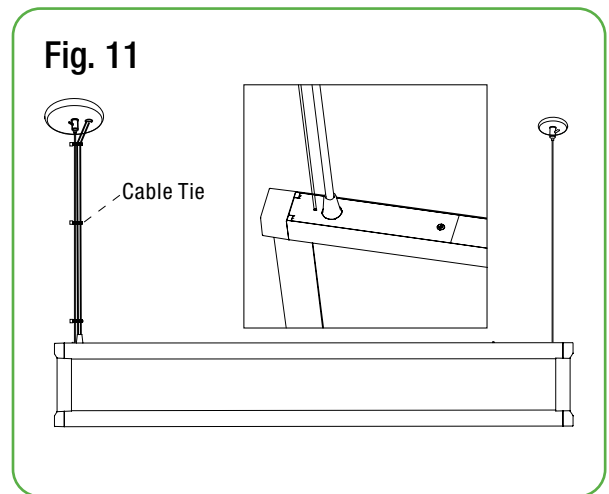
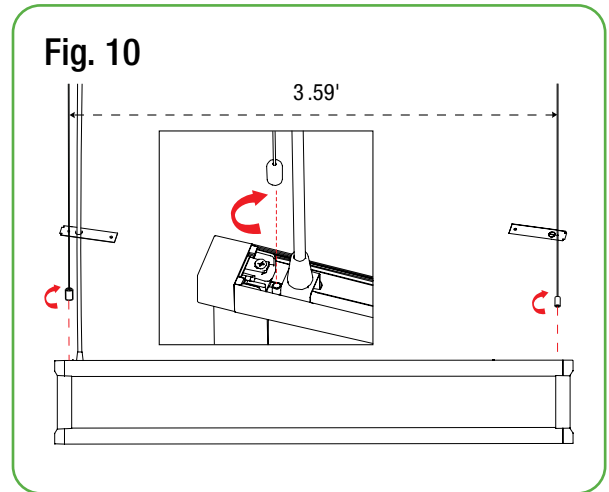


SINGLE FIXTURE INSTALLATION

1. Screw the aircraft cables clockwise onto the top of the luminaire. See Fig. 10.
2. Replace the cover and fasten it to the light fixture. See Fig. 11.
3. Fasten the power cord and aircraft suspension cable with cable ties if needed.

⚠️ ADJUST THE HEIGHT OF LUMINAIRE: Luminaire can be raised by pulling cable through the gripper and can be lowered by depressing the top cylinder on the gripper which pulls the luminaire down.

⚠️ LOCK HEIGHT: After adjusting the luminaire height, screw each bottom part of the cable grippers clockwise to secure them in place.



MULTIPLE LINKED FIXTURE INSTALLATION

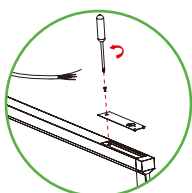
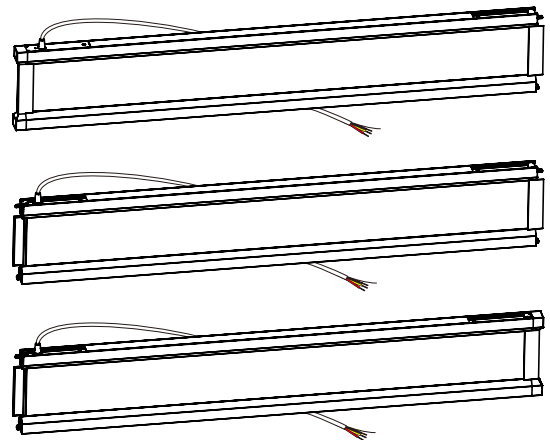
PRE-INSTALLATION DISASSEMBLE LUMINAIRE'S END CAPS AS SHOWN BELOW

- ⚠ All power cords shall be cut to the same and right length according to the pendant height before installation.
- ⚠ **IMPORTANT:** When linking fixtures electrically, do not exceed the following number of fixtures per feed:
 - 120VAC: Connections up to 40ft
 - 277VAC: Connections up to 100ft
 - 347VAC: Connections up to 120ft

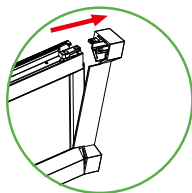
Start of run (SoR): Remove the end cap on non-power cord side
Refer to: ①

Middle of run (MoR): Remove both end caps and power feed
Refer to: ① ② ③ ④

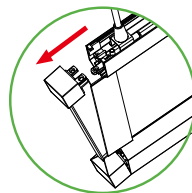
End of run (EoR): Remove the end cap on power cord side and power feed
Refer to: ② ③ ④



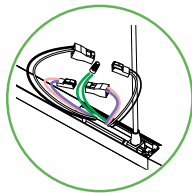
END CAP COVER
REMOVAL



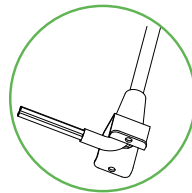
①



②



③

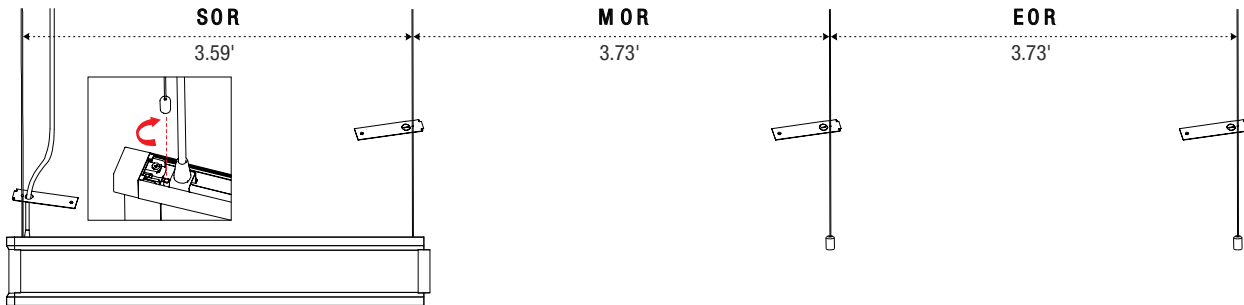


④

1. Remove the screws to free the AC cable.
2. Disconnect the AC cable from the fixture.

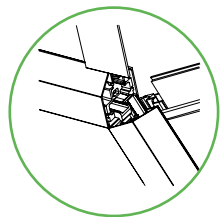
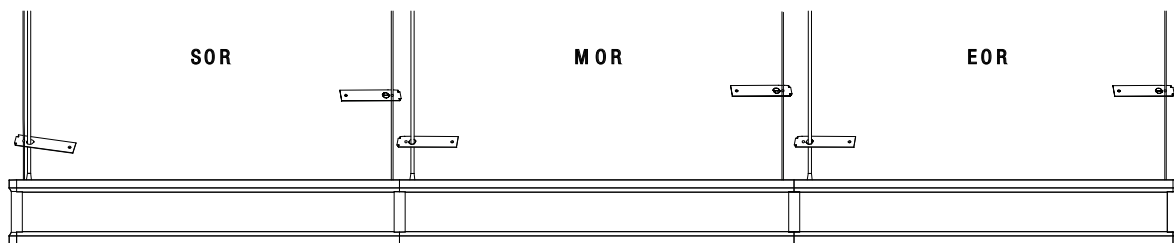
MULTIPLE LINKED FIXTURE INSTALLATION

STEP 1 Install SoR fixture

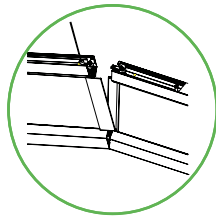


1-1: Screw the aircraft cables clockwise onto the top of the luminaire.

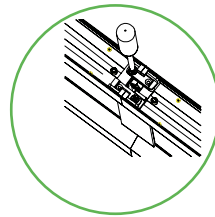
STEP 2 Install MoR fixtures and EoR



Align position



Slide fixture together



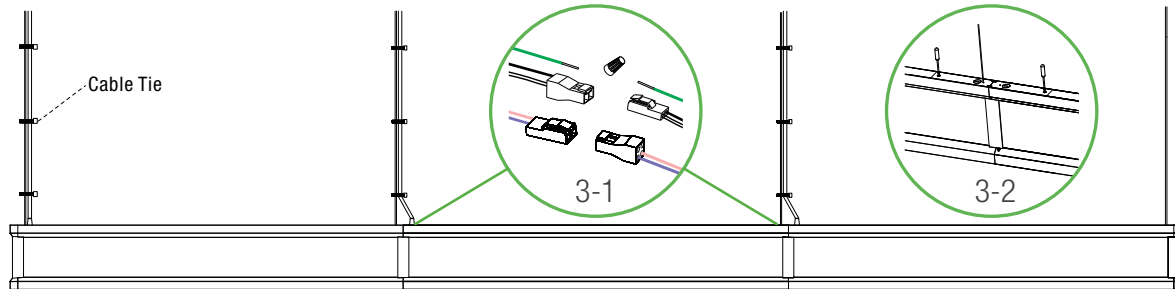
Secure fixture together using screws

2-1: Joint multiple fixtures together. Hang all continuous runs one at a time, starting with the Start of Run (SoR), then each fixture sequentially, finishing with the End of Run (EoR).

2-2: Adjust the aircraft suspension cables using leveling tools.

MULTIPLE LINKED FIXTURE INSTALLATION

STEP 3 Finishing



3-1. Connect the internal harnesses.

3-3: Replace the covers and fasten them to the light fixture.

3-2: Fasten the power cord and aircraft suspension cable with cable ties if needed.