



VPLO V Pendant Linear

INSTALLATION INSTRUCTIONS

Table Of Contents

Hardware Installation

Solid Ceiling05
T-Bar Ceiling.....07

Light Installation

Independent Luminaire.....09
Multiple Luminaries Connection10

WARNING

1. Read all instructions.
2. Install in accordance with national and local electrical code regulations.
3. This product is intended to be installed and serviced by a qualified, licensed electrician.
4. Do not install in wet locations. For dry and damp use only.
5. Turn off electrical power before installing or servicing fixture in any way.
6. To reduce the risk of fire and overheating, make sure all connections are tight.
7. Under no circumstances can the lighting fixture be covered with heat insulation gasket or similar materials.

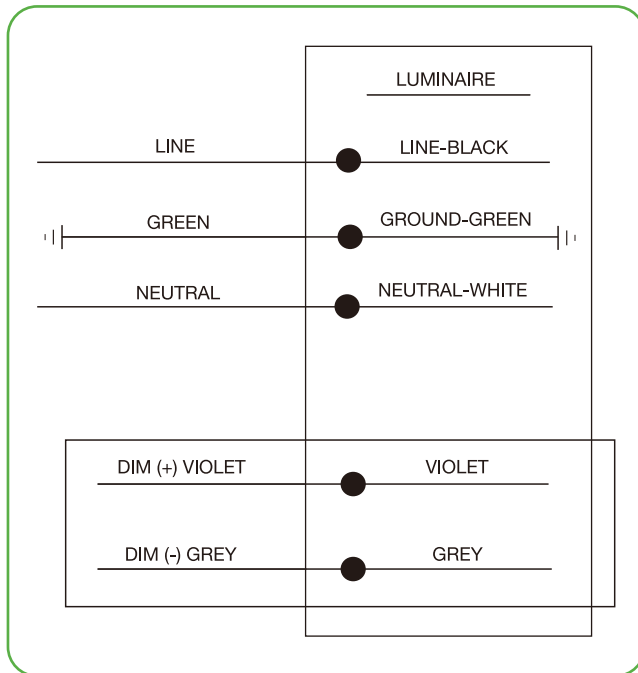


**May result in serious injury or death.
Turn power OFF at circuit breaker prior
to installation or servicing.**

TOOLS:

1. Sharp Side Cutter
2. Electric Drill
3. Level
4. Measuring Tool
5. Wire Stripper / Knife
6. Philips Screwdrivers
7. Wire Cutters

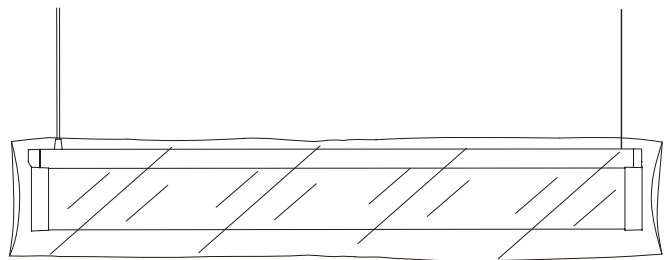
WIRING DIAGRAM



- ! Cut all power cords to the appropriate and equal lengths based on pendant height before installation.**

ATTENTION:

1. Keep the protective bags and films on the fixtures until construction phase is complete.
2. The fixture can be operated normally with the protective bag on.

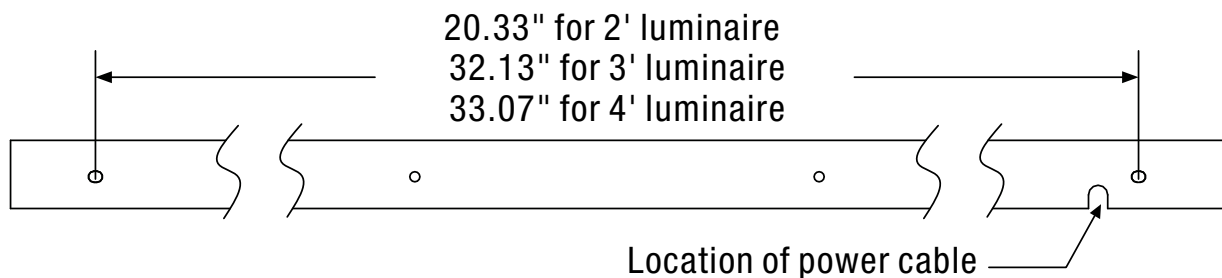


VPLO V Pendant Linear

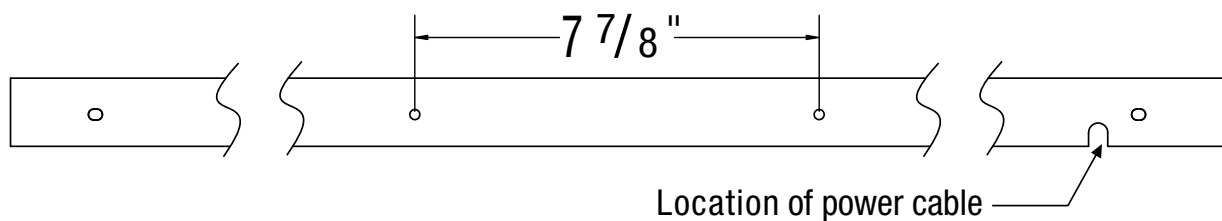
CAUTION

- Ensure the input voltage is compatible with the fixture to prevent damage.
- Always switch off the breaker and verify that it is off before connecting the fixture to prevent electric shock.
- Make sure all electrical connections are tight to reduce the risk of fire and overheating.
- Installation, removal, and maintenance should be performed by qualified technical personnel.
- Do not install in wet locations. For dry and damp use only.
- Select suitable fasteners based on the surface and weight of the fixture to ensure secure installation.
- Do not cover the lighting fixture with insulation or similar materials to prevent overheating.

PENDANT INSTALLATION HARDWARE SPACING



CEILING AND SURFACE INSTALLATION HARDWARE SPACING



VPLO V Pendant Linear Installation Instructions

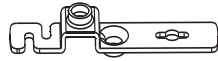
SOLID CEILING

COMPONENTS

3 - Wire Nut



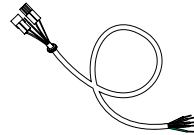
4 - Junction Box Crossbar



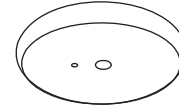
5 - Screw PM4x22



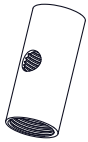
6 - Power Cord



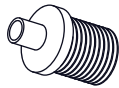
7 - 4" Power canopy



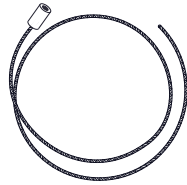
8 - Cable Gripper Coupling



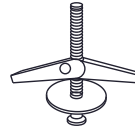
9 - Cable Gripper



10 - Aircraft Cable



12 - Butterfly Drywall Anchor



13 - Crimp Stud



14 - 2" Canopy



16 - Anchor



17 - Screw PA4*30



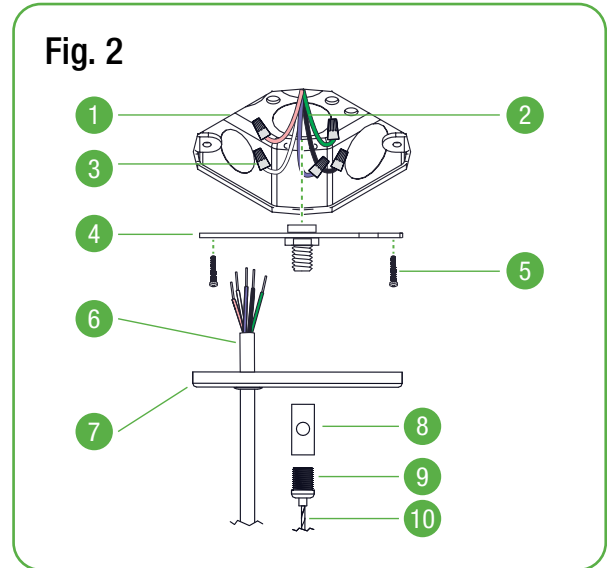
VPLO V Pendant Linear

SOLID CEILING - J-BOX INSTALLATION INSTRUCTIONS

POWER FEED SIDE

See Fig. 2.

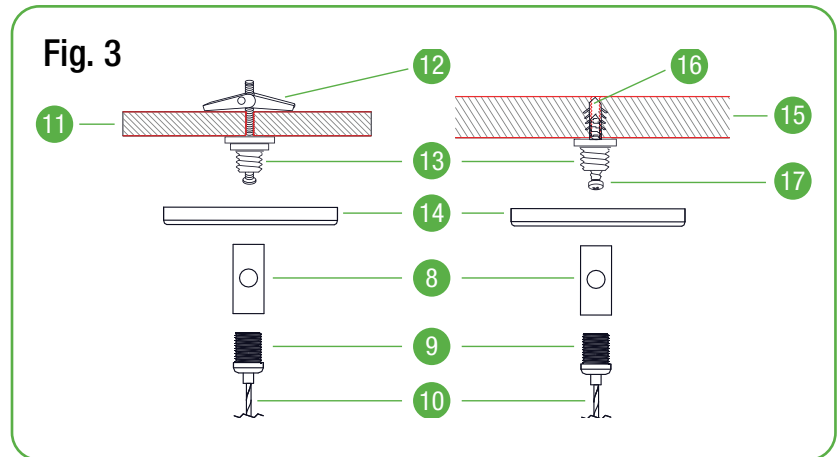
1. Attach (4) Junction Box Crossbar to (1) Junction Box.
2. Place (7) 4" Canopy Power Feed onto (6) Power Cord.
3. Wire the fixture according to Fig. 2.
4. Raise (7) 4" Canopy Power Feed until the mounting stud of (4) Junction Box Crossbar comes through.
5. Screw (8) Cable Gripper Coupling to secure (7) Canopy in place.
6. Screw (9) Cable Gripper onto (8) Cable Gripper Coupling.
7. Thread (10) Aircraft Cable through (9) Cable Gripper.



NON POWER SIDE

See Fig. 3.

1. Attach (13) Crimp Stud to the mounting surface using (12) Butterfly Drywall Anchor or (16) Anchor and (17) Screw PA4*30.
2. Place (14) 2" Canopy over (13) Crimp Stud and screw (8) Cable Gripper Coupling to hold it in place.
3. Screw (9) Cable Gripper onto (8) Cable Gripper Coupling.
4. Thread (10) Aircraft Cable through (9) Cable Gripper.



⚠️ **ADJUST THE HEIGHT OF LUMINAIRE:** Luminaire can be raised by pulling cable through the gripper and can be lowered by depressing the top cylinder on the gripper which pulls the luminaire down.

⚠️ **LOCK HEIGHT:** After adjusting the luminaire height, screw each bottom part of the cable grippers clockwise to secure them in place.

T-BAR INSTALLATION INSTRUCTIONS

COMPONENTS

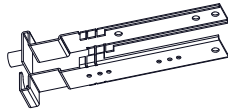
3 - 4" Octagon Junction Box



4 - Wire Nut



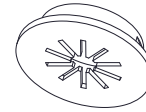
5 - Assembled T-Grid Clips



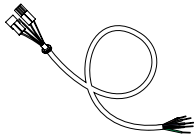
6 - Screw 6#*4



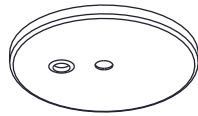
8 - Plastic Grommet



10 - Power Cord



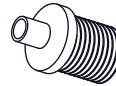
11 - 4" Canopy Power Feed



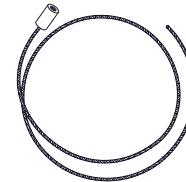
12 - Cable Gripper Coupling



13 - Cable Gripper



14 - Aircraft Cable



15 - 2" Canopy



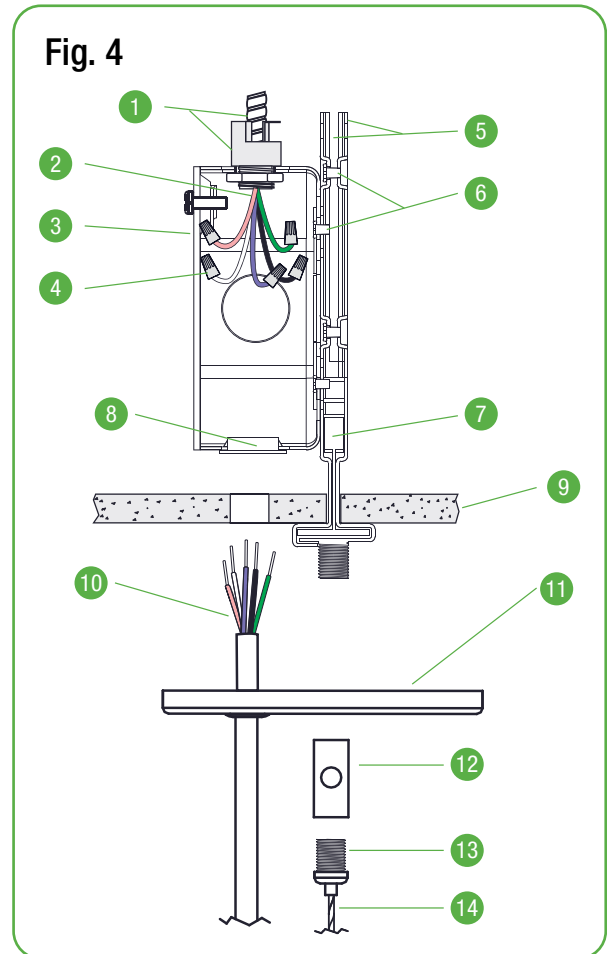
VPLO V Pendant Linear

T-BAR INSTALLATION INSTRUCTIONS

POWER FEED SIDE

See Fig. 4.

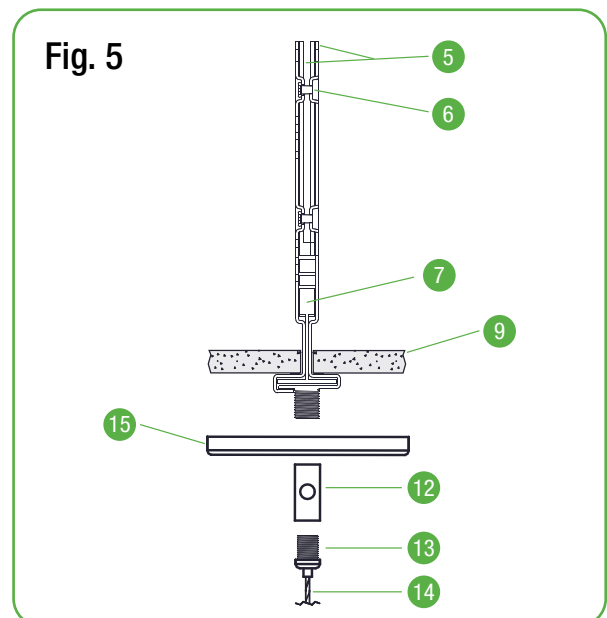
1. Knock out the corresponding hole in the octagon junction box and install (8) Plastic Grommet.
2. Place (5) T-Grid Clips on both sides of the T-Grid.
3. Attach (3) 4" Octagon Junction Box to the two (5) T-Grid Clips using the provided (6) Screws, fastening the octagon box and clips together.
4. Place (11) 4" Canopy Power Feed onto (10) Power Cord.
5. Wire the fixture according to Fig. 2.
6. Raise (11) 4" Canopy Power Feed until the mounting stud comes through.
7. Screw (12) Cable Gripper Coupling to secure (11) Canopy in place.
8. Screw (13) Cable Gripper onto (12) Cable Gripper Coupling.
9. Thread (14) Aircraft Cable through (13) Cable Gripper.



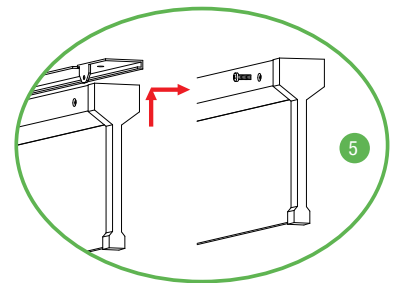
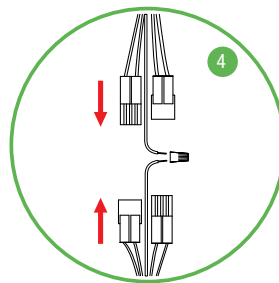
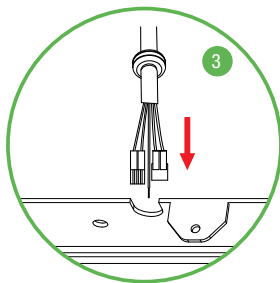
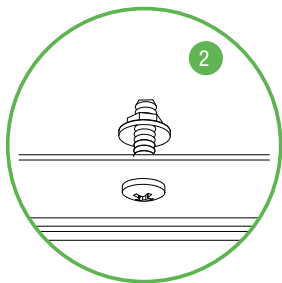
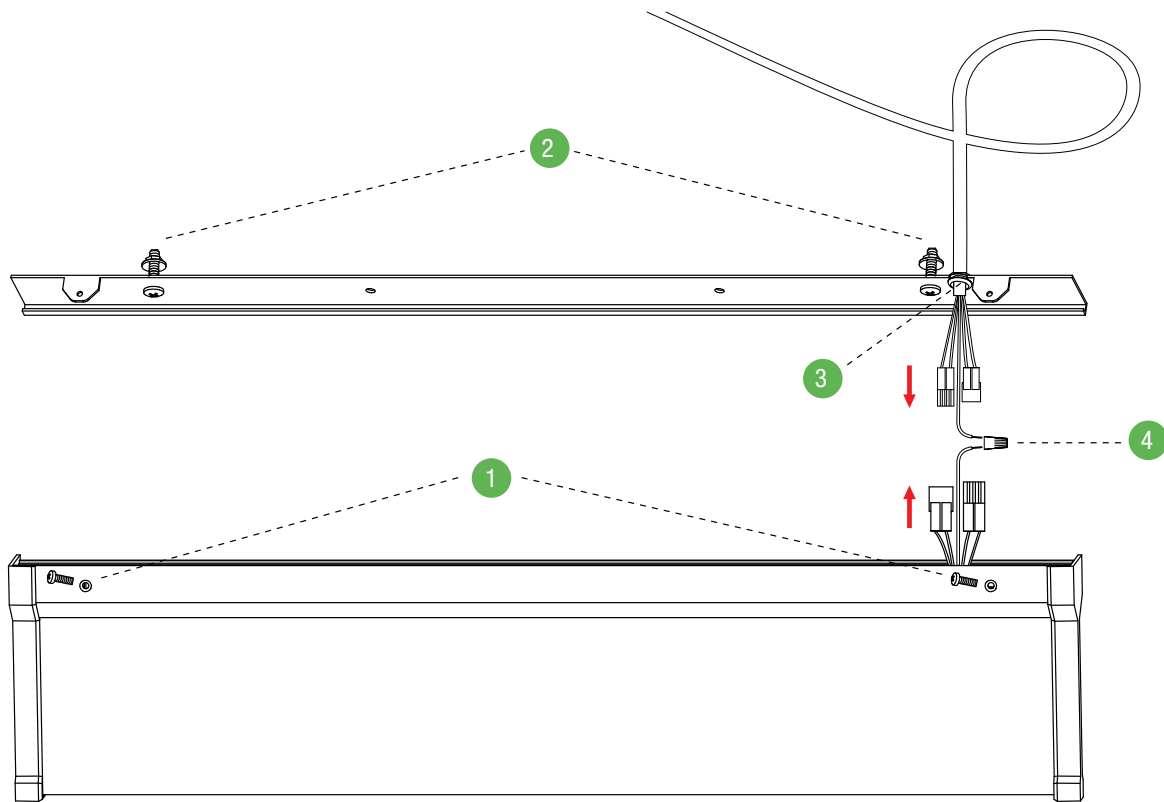
NON POWER SUSPENSION

See Fig. 5.

1. Place (5) T-Grid Clips on both sides of the T-Grid.
2. Using the provided (6) Screws, securing the clips firmly in place.
3. Raise (15) 2" Canopy until the mounting stud comes through.
4. Screw (12) Cable Gripper Coupling to secure (11) Canopy in place.
5. Screw (13) Cable Gripper onto (12) Cable Gripper Coupling.
6. Thread (14) Aircraft Cable through (13) Cable Gripper.



SINGLE FIXTURE INSTALLATION



1. Remove the luminaire cover by unscrewing the indicated screws on the sides.
2. Assemble the screws and nuts as shown on the cover.
3. Insert the power cord into the cover opening as illustrated.
4. Connect the wires in the luminaire using quick connectors and wire nuts.
5. Reattach the cover to the luminaire.
6. Mount the luminaire onto the installed hardware as indicated above.

VPLO V Pendant Linear Installation Instructions

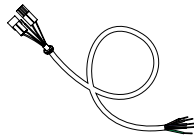
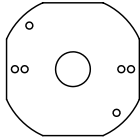
CEILING OR WALL

COMPONENTS

2 - Wire Nut

3 - Surface Plate

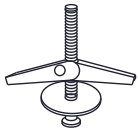
4 - Power Cord



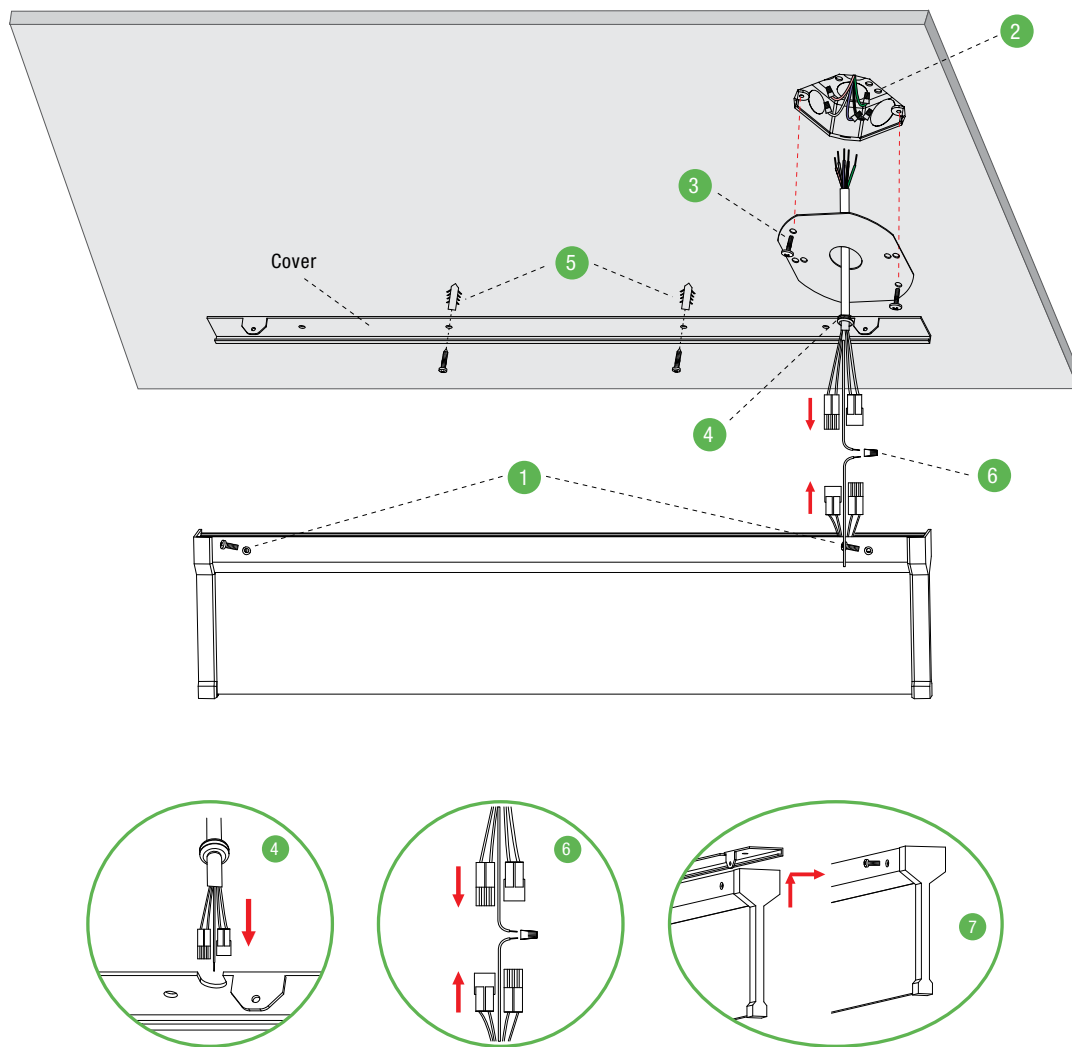
5 - Butterfly
Drywall Anchor

6 - Anchor

7 - Screw PA4*30

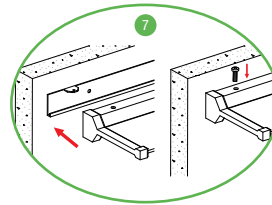
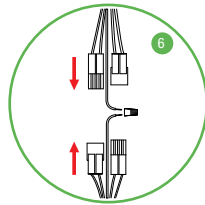
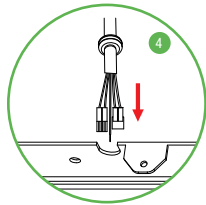
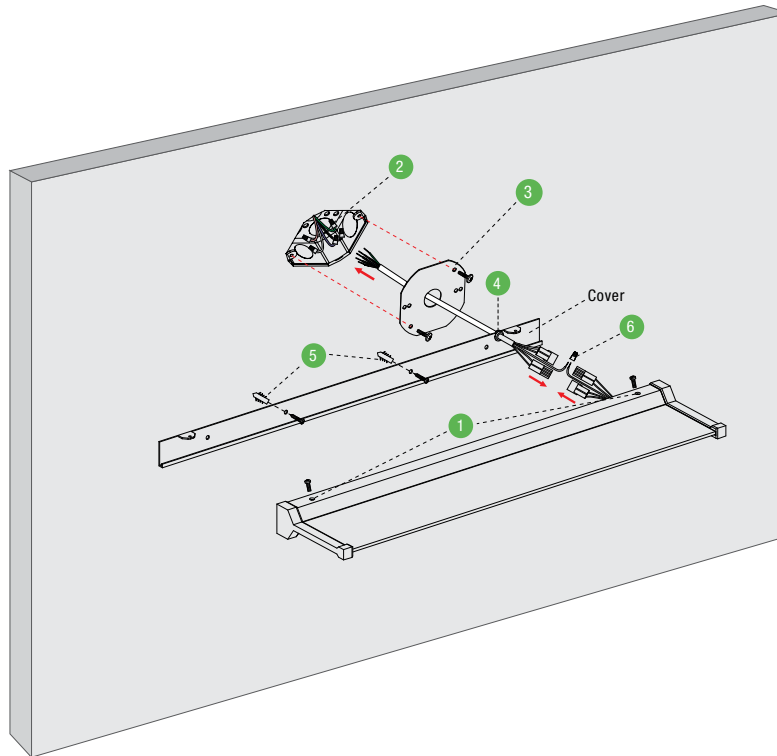


SURFACE CEILING INSTALLATION



1. Remove the luminaire cover by unscrewing the indicated screws on the sides.
2. Connect the provided power cable wires to the J-box using wiring caps.
3. Secure the surface plate to the J-Box
4. Insert the power cord into the cover opening as shown.
5. Mount the luminaire cover to the ceiling using drywall or hard surface hardware
6. Connect the wires in the luminaire using quick connectors and wire nuts.
7. Mount the luminaire onto the cover as indicated above.

SURFACE CEILING INSTALLATION



1. Remove the luminaire cover by unscrewing the indicated screws on the sides.
2. Connect the provided power cable wires to the J-box using wiring caps.
3. Secure the surface plate to the J-Box
4. Insert the power cord into the cover opening as shown.
5. Mount the luminaire cover to the ceiling using drywall or hard surface hardware
6. Connect the wires in the luminaire using quick connectors and wire nuts.
7. Mount the luminaire onto the cover as indicated above.