

LED 3.5" Fixed Recessed Downlight

Project: _____ Location: _____ Type: _____

Model Number: _____ Qty: _____ Notes: _____ Date: _____



GLI-FRD35

LED 3.5" Fixed Recessed Downlight

The GOLED Fixed Recessed Downlight series construction provides a pleasant downlight solution in a package that minimizes installation labour. With quick install spring clips and a one-piece reflector and trim the installation is virtually reduced to a snap-in.

Features and Specifications

- 12W 1000LM output
- Available with 5 field selectable CCTs (2700/3000/3500/4000/5000)
- Highly durable die-cast aluminum body provides effective cooling
- Spring mounting clips ensure a centered, gapless installation by securely snapping the product in place
- New construction rough in plates available
- No housing required
- Standard FT1 rated cable, FT4 or FT6 rated cable optional
- Input voltage: AC 120V 50/60 Hz, AC 120-347V 50/60 Hz
- Quick and simple installation process
- TRIAC/ELV Dimmable (10% to 100%), optional 0-10V dimming

Certifications

- cETLus Classified
- Wet location rated
- I.c. rated for direct contact with insulation

Warranty

- 5 years warranty
- Lifespan(LM70) of over 50 000 hours

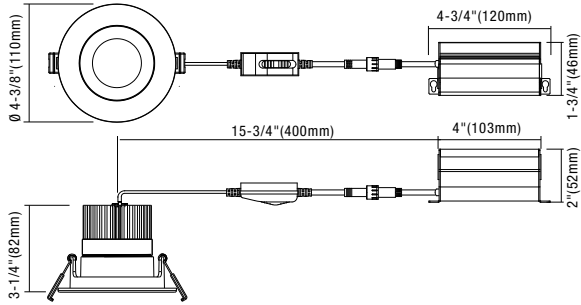
Overview

Light source	LED
Wattage	12W
Voltage	120V, 120-347V
Lumen output (LM)	1000LM
Efficiency (LM/W)	83LM/W
Color temperature (K)	2700/3000/3500/4000/5000
CRI	90CRI, 97CRI

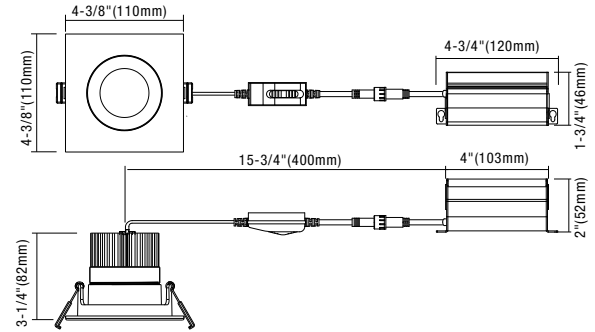
LED 3.5" Fixed Recessed Downlight

DIMENSIONS

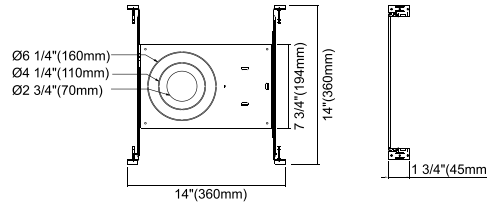
Round



Square



Rough-in Frames



UNV

Multi-size: 2.5", 4" and 6" new construction rough-in plate with collar for use with universal LED module

LED 3.5" Fixed Recessed Downlight

SPECIFICATIONS

MODEL	WATTAGE	LUMENS	EFFICIENCY	CCT	CRI	RATED LIFETIME
GLI-FRD35-12W-5SK	12W	1000LM	83LM/W	2700/3000/3500/4000/5000	90CRI	50 000 hours

ORDERING GUIDE

SERIES	WATTAGE	CCT	CRI	VOLTAGE	REFLECTOR/TRIM	FINISH
GLI-FRD35	12 - 12 Watts	5SK - 5 CCT Selectable 2700/3000/3500/4000/5000	90 - 90 CRI 97' - 97 CRI	V1 - 120V V2 - 120-347V	RS - Round Smooth Reflector SS - Square Smooth Reflector	WH - Matte White BK - Matte Black BZ' - Bronze BN' - Brushed Nickel

CONTROL	CABLE	ROUGH-IN FRAME	ACCESSORIES
TR - TRIAC compatible LV - 0-10V compatible	FT1 - FT1 Luminaire cable FT4' - FT4 Luminaire cable FT6' - FT6 Luminaire cable	UNV - Universal Rough-In Frame	F106 - 6' extension cable F110 - 10' extension cable F120 - 20' extension cable

(1) Subject to minimum order quantity