

LED Track Light

Project: _____ Location: _____ Type: _____

Model Number: _____ Qty: _____ Notes: _____ Date: _____



GLI-LTL-DA LED Track Light

Features and Specifications

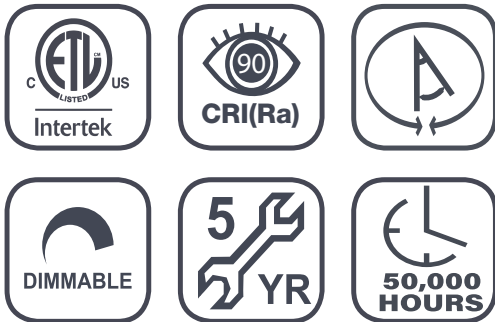
- Directional light source providing 90° vertical aiming capability with 320° horizontal rotation
- Full range aiming with rugged, stable, joints
- Driver compartment isolated from optical compartment
- Excellent thermal dissipation for long life and stable operation
- Color choice of white or black
- Multiple wattage options available 8.5W(555LM), 17.5W(1217LM), and 38W(3375LM)
- Choice of H, J and L bases
- Option of 24° spot beam and 38° flood beam
- Color Temperatures: 3500K, 4000K, and 5000K
- Color Rendering Index (CRI): 90+
- Flicker free dimming

Certifications

- cETLus listed

Warranty

- 5 years warranty
- Lifespan(LM70) of over 50 000 hours

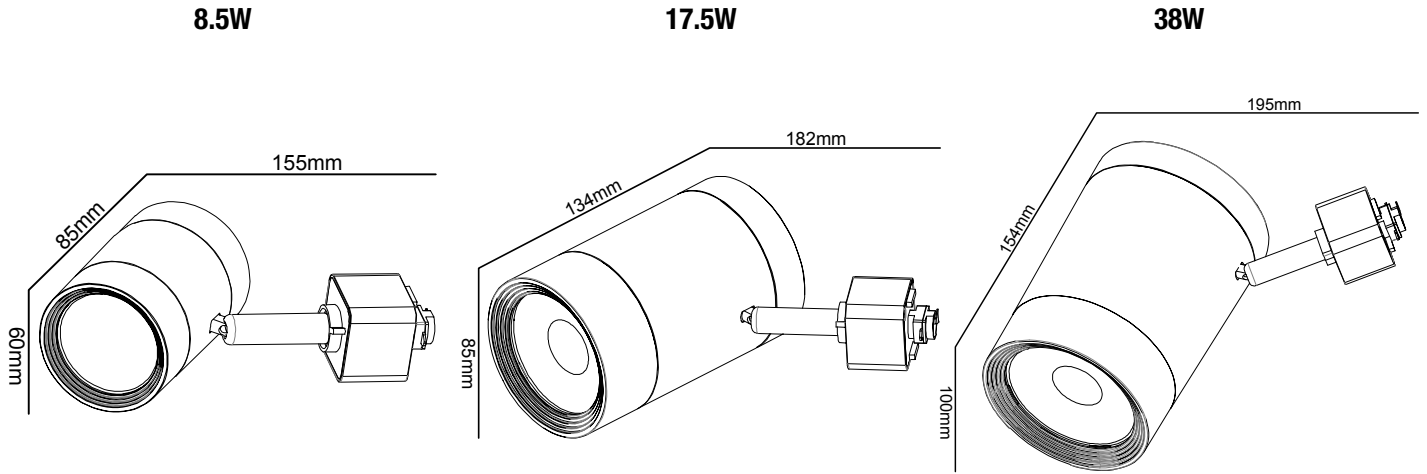


Overview

Light source	LED
Watts (W)	8.5W, 17.5W, 38W
Voltage	120V
Lumen output (LM)	555LM, 1217LM, 3375LM
Color temperature (K)	3500K, 4000K, 5000K
CRI	90+CRI

LED Track Light

DIMENSIONS



SPECIFICATIONS

MODEL	WATTAGE	LUMENS@4000K	LUMENS/WATT	CCT	CRI	BEAM	RATED LIFETIME
GLI-LTL-DA-8.5	8.5W	555LM	65LM/W	3500K	90	24° beam 38° beam	50 000 hours
GLI-LTL-DA-17.5	17.5W	1217LM	70LM/W	4000K	90		50 000 hours
GLI-LTL-DA-38	38W	3375LM	89LM/W	5000K	90		50 000 hours

ORDERING GUIDE

SERIES	WATTAGE	CCT	BEAM ANGLE	FINISH	TRACK BASE
GLI-LTL-DA	8 - 8.5 Watts	35K - 3500K	B1 - 24° beam	WH - White	H - "H" track base
	17 - 17.5 Watts	40K - 4000K	B2 - 38° beam	BK - Black	J - "J" track base
	38 - 38 Watts	50K - 5000K			L - "L" track base