

Canopy Lights B

Project: _____ Location: _____ Type: _____

Model Number: _____ Qty: _____ Notes: _____ Date: _____



GLI-CPLB

Canopy Lights B

The GOLED Canopy Lights B series is a robust and contemporary lighting solution crafted for both indoor and outdoor installations. With versatile options for pendant or surface mounting, it finds applications in architectural, corridor, and pillar lighting. Engineered for durability, its enhanced weather protection guarantees long-term performance without succumbing to weathering effects.

Features and Specifications

- Die cast aluminum construction
- Stainless steel hardware
- Impact resistant PMMA lens
- Surface or 3 foot pendant installation
- 3mils AkzoNobel Powder Coating finish provides superior resistance to corrosion and weathering
- 0-10V dimming available
- 120V-277V integrated driver
- Selection of 3000K, 4000K, 5000K and 6000K available
- 80CRI

Certifications

- cETLus Listed
- Damp and wet location certified
- IP65 water ingress rating
- Outdoor use

Warranty

- 5 years warranty
- Estimated lifespan of over 50 000 hours


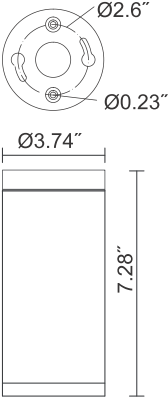


Overview

Light source	LED
Voltage	120V-277V
Watts (W)	4W, 11W, 15W, 20W, 24W, 30W, 40W
Color temperature (K)	3000K, 4000K, 5000K, 6000K
CRI	80CRI

Canopy Lights B

Round downlights ceiling mounted or pendant mounted to provide under-canopy general lighting. Choices of housing colour allow luminaire to blend perfectly with ceiling/canopy finish.

PRODUCT	DIMENSIONS	DESCRIPTION	
GLI-CPLB-6001 		WATTAGE	4W
		LUMENS 10° 40K	283LM 71LM/W
		LUMENS 25° 40K	283LM 71LM/W
		LUMENS 45° 40K	283LM 71LM/W
		LUMENS 60° 40K	283LM 71LM/W
		HOUSING	Die-Cast Aluminum
		GASKET	Silicone Rubber
		LENS	Clear Tempered Glass
		SURFACE FINISH	AkzoNobel Powder Coating
		DRIVER TYPE	Constant Current
		INPUT VOLTAGE	100~277VAC
		AMBIENT TEMPERATURE	-20°C~45°C
		CERTIFICATIONS	cETLus
RATINGS	IP65		

ORDERING GUIDE

SERIES	WATTAGE	CCT	BEAM ANGLE	FINISH	OPTIONS
GLI-CPLB-6001					APPEND REQUIRED CODES
	4 - 4 Watts	30K - 3000K	10 - 10°	BK - Black	P - Pendant mount 3' cable
		40K - 4000K	25 - 25°	WH - White	M - Marine ambient corrosion resistance
		60K - 6000K	45 - 45°	GR - Gray	O - Mounting plate for standard outlet box
			60 - 60°	MB - Mineral bronze	
				SI - Silver	

Canopy Lights B

Round downlights ceiling mounted or pendant mounted to provide under-canopy general lighting. Choices of housing colour allow luminaire to blend perfectly with ceiling/canopy finish.


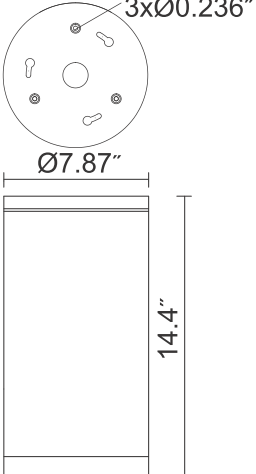
PRODUCT	DIMENSIONS	DESCRIPTION	
GLI-CPLB-6013		WATTAGE	11W, 30W
		LUMENS 11W 10° 40K	945LM 86LM/W
		LUMENS 11W 25° 40K	945LM 86LM/W
		LUMENS 11W 45° 40K	945LM 86LM/W
		LUMENS 11W 60° 40K	945LM 86LM/W
		LUMENS 30W 15° 40K	3150LM 105LM/W
		LUMENS 30W 20° 40K	3150LM 105LM/W
		LUMENS 30W 30° 40K	3150LM 105LM/W
		LUMENS 30W 60° 40K	3150LM 105LM/W
		HOUSING	Die-Cast Aluminum
		GASKET	Silicone Rubber
		LENS	Clear Tempered Glass
		SURFACE FINISH	AkzoNobel Powder Coating
		DRIVER TYPE	Constant Current
		INPUT VOLTAGE	100~277VAC
		AMBIENT TEMPERATURE	-20°C~45°C
CERTIFICATIONS	cETLus		
RATINGS	IP65		

ORDERING GUIDE

SERIES	WATTAGE	CCT	BEAM ANGLE	FINISH	OPTIONS
GLI-CPLB-6013					APPEND REQUIRED CODES
	11 - 11 Watts	30K - 3000K	10 - 10°	BK - Black	P - Pendant mount 3' cable
		40K - 4000K	25 - 25°	WH - White	M - Marine ambient corrosion resistance
		60K - 6000K	45 - 45°	GR - Gray	O - Mounting plate for standard outlet box
			60 - 60°	MB - Mineral bronze	DM - 0-10V Dimming
				SI - Silver	
	30 - 30 Watts	30K - 3000K	15 - 15°	BK - Black	P - Pendant mount 3' cable
		40K - 4000K	20 - 20°	WH - White	M - Marine ambient corrosion resistance
		50K - 5000K	30 - 30°	GR - Gray	O - Mounting plate for standard outlet box
			60 - 60°	MB - Mineral bronze	DM - 0-10V Dimming
				SI - Silver	

Canopy Lights B

Round downlights ceiling mounted or pendant mounted to provide under-canopy general lighting. Choices of housing colour allow luminaire to blend perfectly with ceiling/canopy finish.

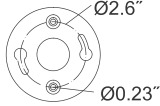
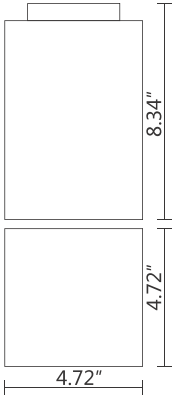

PRODUCT	DIMENSIONS	DESCRIPTION	
GLI-CPLB-6020 		WATTAGE	24W, 40W
		LUMENS 24W 10° 40K	1890LM 79LM/W
		LUMENS 24W 25° 40K	1890LM 79LM/W
		LUMENS 24W 38° 40K	1890LM 79LM/W
		LUMENS 24W 45° 40K	1890LM 79LM/W
		LUMENS 24W 60° 40K	1890LM 79LM/W
		LUMENS 40W 8° 40K	4518LM 113LM/W
		LUMENS 40W 18° 40K	4518LM 113LM/W
		LUMENS 40W 36° 40K	4518LM 113LM/W
		LUMENS 40W 62° 40K	4518LM 113LM/W
		HOUSING	Die-Cast Aluminum
		GASKET	Silicone Rubber
		LENS	Clear Tempered Glass
		SURFACE FINISH	AkzoNobel Powder Coating
		DRIVER TYPE	Constant Current
		INPUT VOLTAGE	100~277VAC
AMBIENT TEMPERATURE	-20°C~45°C		
CERTIFICATIONS	cETLus		
RATINGS	IP65		

ORDERING GUIDE

SERIES	WATTAGE	CCT	BEAM ANGLE	FINISH	OPTIONS
GLI-CPLB-6020	24 - 24 Watts	30K - 3000K	10 - 10°	BK - Black	P - Pendant mount 3' cable
		40K - 4000K	25 - 25°	WH - White	M - Marine ambient corrosion resistance
		60K - 6000K	38 - 38°	GR - Gray	O - Mounting plate for standard outlet box
			45 - 45°	MB - Mineral bronze	DM - 0-10V Dimming
			60 - 60°	SI - Silver	
	40 - 40 Watts	30K - 3000K	08 - 8°	BK - Black	P - Pendant mount 3' cable
		40K - 4000K	18 - 18°	WH - White	M - Marine ambient corrosion resistance
		50K - 5000K	36 - 36°	GR - Gray	O - Mounting plate for standard outlet box
			62 - 62°	MB - Mineral bronze	DM - 0-10V Dimming
				SI - Silver	

Canopy Lights B

Square downlights ceiling mounted or pendant mounted to provide under-canopy general lighting. Choices of housing colour allow luminaire to blend perfectly with ceiling/canopy finish.

PRODUCT	DIMENSIONS	DESCRIPTION	
GLI-CPLB-6162	 <p>Mounted Top plate</p> 	WATTAGE	4W, 15W
		HOUSING	Die-Cast Aluminum
	GASKET	Silicone Rubber	
		TOP COVER	Clear Tempered Glass
		LED OPTIC	PMMA Lens
		SURFACE FINISH	AkzoNobel Powder Coating
		DRIVER TYPE	Constant Current
		INPUT VOLTAGE	100~277V/AC
		AMBIENT TEMPERATURE	-20°C~45°C
		CERTIFICATIONS	cETLus
		RATINGS	IP65

ORDERING GUIDE

SERIES	WATTAGE	CCT	BEAM ANGLE	FINISH	OPTIONS
GLI-CPLB-6162					APPEND REQUIRED CODES
	4 - 4 Watts	30K - 3000K	15 - 15°	BK - Black	P - Pendant mount 3' cable
		40K - 4000K	23 - 23°	WH - White	M - Marine ambient corrosion resistance
		50K - 5000K	45 - 45°	GR - Gray	O - Mounting plate for standard outlet box
			60 - 60°	MB - Mineral bronze	
				SI - Silver	
	15 - 15 Watts	30K - 3000K	15 - 15°	BK - Black	P - Pendant mount 3' cable
		40K - 4000K	20 - 20°	WH - White	M - Marine ambient corrosion resistance
		50K - 5000K	30 - 30°	GR - Gray	O - Mounting plate for standard outlet box
			60 - 60°	MB - Mineral bronze	DM - 0-10V Dimming
				SI - Silver	

Canopy Lights B

Square downlights ceiling mounted or pendant mounted to provide under-canopy general lighting. Choices of housing colour allow luminaire to blend perfectly with ceiling/canopy finish.


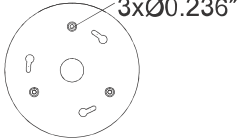
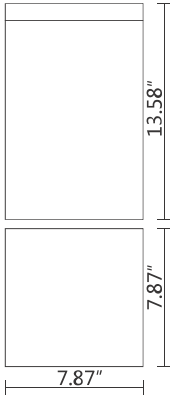
PRODUCT	DIMENSIONS	DESCRIPTION	
GLI-CPLB-6163		WATTAGE	11W, 15W, 30W
		HOUSING	Die-Cast Aluminum
		GASKET	Silicone Rubber
		TOP COVER	Clear Tempered Glass
		LED OPTIC	PMMA Lens
		SURFACE FINISH	AkzoNobel Powder Coating
		DRIVER TYPE	Constant Current
		INPUT VOLTAGE	100~277V/AC
		AMBIENT TEMPERATURE	-20°C~45°C
		CERTIFICATIONS	cETLus
		RATINGS	IP65

ORDERING GUIDE

SERIES	WATTAGE	CCT	BEAM ANGLE	FINISH	OPTIONS	
GLI-CPLB-6163					APPEND REQUIRED CODES	
	11 - 11 Watts	30K - 3000K	15 - 15°	BK - Black	P - Pendant mount 3' cable	
	15 - 15 Watts	40K - 4000K	23 - 23°	WH - White	M - Marine ambient corrosion resistance	
			50K - 5000K	38 - 38°	GR - Gray	O - Mounting plate for standard outlet box
			45 - 45°	MB - Mineral bronze		
			60 - 60°	SI - Silver		
	30 - 30 Watts	30K - 3000K	15 - 15°	BK - Black	P - Pendant mount 3' cable	
			40K - 4000K	20 - 20°	WH - White	M - Marine ambient corrosion resistance
			50K - 5000K	30 - 30°	GR - Gray	O - Mounting plate for standard outlet box
			60 - 60°	MB - Mineral bronze	DM - 0-10V Dimming	
				SI - Silver		

Canopy Lights B

Square downlights ceiling mounted or pendant mounted to provide under-canopy general lighting. Choices of housing colour allow luminaire to blend perfectly with ceiling/canopy finish.

PRODUCT	DIMENSIONS		DESCRIPTION	
GLI-CPLB-6169			WATTAGE	20W, 40W
	 <p>3xØ0.236"</p> <p>Mounted Top plate</p>	 <p>13.58"</p> <p>7.87"</p> <p>7.87"</p>	HOUSING	Die-Cast Aluminum
			GASKET	Silicone Rubber
			TOP COVER	Clear Tempered Glass
			LED OPTIC	PMMA Lens
			SURFACE FINISH	AkzoNobel Powder Coating
			DRIVER TYPE	Constant Current
			INPUT VOLTAGE	100~277V/AC
			AMBIENT TEMPERATURE	-20°C~45°C
			CERTIFICATIONS	cETLus
			RATINGS	IP65

ORDERING GUIDE

SERIES	WATTAGE	CCT	BEAM ANGLE	FINISH	OPTIONS
GLI-CPLB-6169					APPEND REQUIRED CODES
	20 - 20 Watts	30K - 3000K	15 - 15°	BK - Black	P - Pendant mount 3' cable
		40K - 4000K	23 - 23°	WH - White	M - Marine ambient corrosion resistance
		50K - 5000K	38 - 38°	GR - Gray	O - Mounting plate for standard outlet box
			45 - 45°	MB - Mineral bronze	DM - 0-10V Dimming
			60 - 60°	SI - Silver	
	40 - 40 Watts	30K - 3000K	08 - 8°	BK - Black	P - Pendant mount 3' cable
		40K - 4000K	18 - 18°	WH - White	M - Marine ambient corrosion resistance
		50K - 5000K	36 - 36°	GR - Gray	O - Mounting plate for standard outlet box
			60 - 60°	MB - Mineral bronze	DM - 0-10V Dimming
				SI - Silver	